

IN THIS CATALOG:

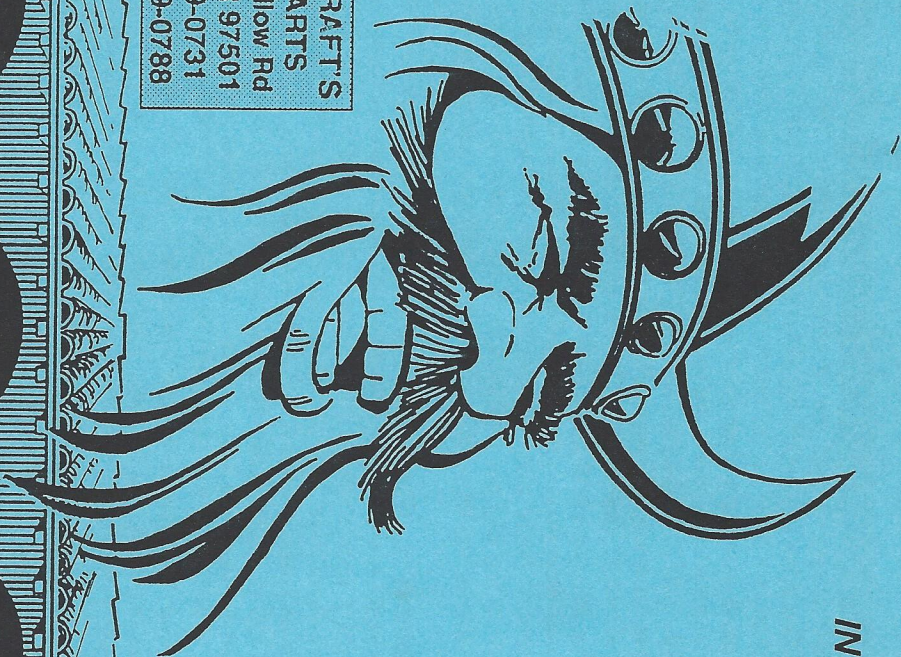
Our Policies & Shipping Info	2
Books/Manuals	4

V4 Section:

Gaskets/Oil System	5
Engine	6,7
Fuel System/Exhaust	8
Cooling System	9
Electrical	10
Clutch/Transaxle	11
Front Suspension/Brake	12
Rear Axle/ Brake, Keys	13
Weatherstrip/Interior	14
95 Interior	15
95/96 Sheet Metal	16
Sonett Weatherstrip	17
Sonett II, V4 Upholstery	18
Sonett III Upholstery	19
Hi Performance	20,21
Sonett Sheet Metal	22

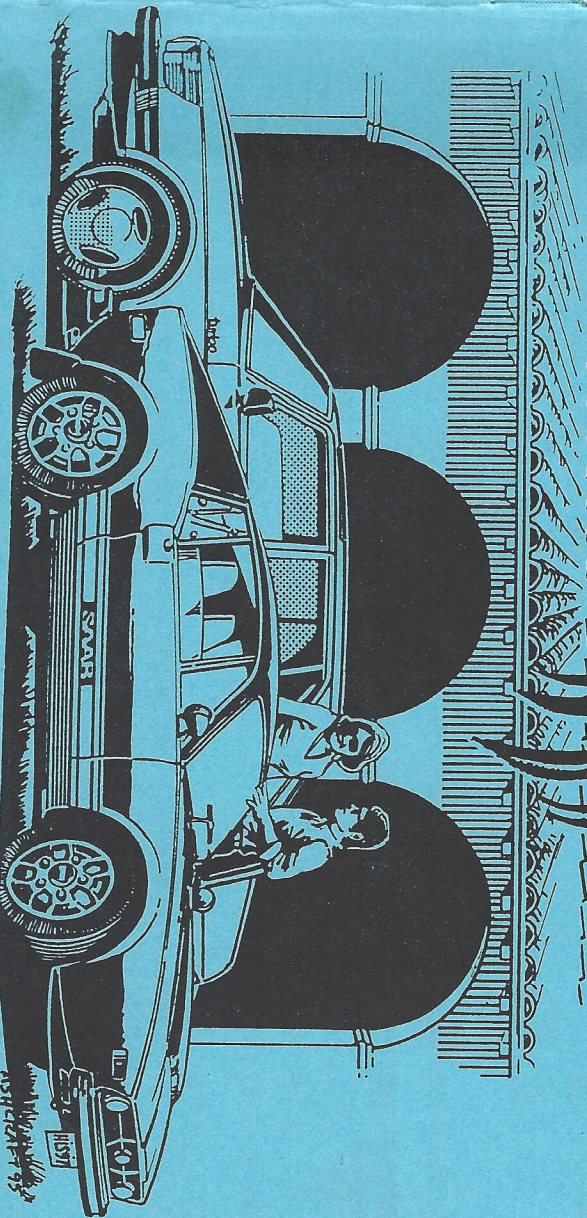
99/900/9000 Section:

Engine Parts, Mounts, Filters	23
Injection, Switches, Ignition	25
Cooling System	26
Oil Coolers	27
Front Suspension	28
Rear Suspension	29
Multigroove belts, Harmonic Balancers, Pulleys, Clutch Turbochargers, Trans Filters, Cables, Brake M/Cyl, Relays, Fan Motors	31



**JACK ASHCRAFT'S
DRAKENPARTS**
4305 Dark Hollow Rd
Medford, OR 97501
Ph 503-779-0731
FAX 503-779-0788

CATALOG
8
A



DRAKENPARTS™

DRAKENPARTS™

Draken, the Swedish word for dragon, was the Viking symbol carved and affixed to the bow of their long ships. As the Ninth Century dawned, Swedes, Danes and Norwegians struck Europe, the Mediterranean and some of coastal Africa with a savage fury. Their advance eventually encompassed the entire continent of Europe, part of Russia, down wild and uncharted rivers to the Black and Caspian Seas, and even threatened Constantinople. They ruled England, burned mosques in Andalusia, took slaves in North Africa, raided Pisa and dropped anchor in the great harbor at Alexandria.

The Vikings traded as readily as they plundered, settled as readily as they sacked, always from the great Draken ships that launched with them the legends of the Norsemen, the Vikings.

A few words about DRAKENPARTS:

DRAKENPARTS really started out of sheer necessity in 1987. We were restoring a '72 Sonett and found that there were a lot of parts called NLS by Saab. No Longer Supplied. Makes it damn hard to restore a car! So we began what has become almost a crusade to find NOS (New Old Stock) parts, find heavy duty substitute parts, to re-machine some parts and to actually have some parts manufactured. All in order to continue our restorations of vintage Saabs!

Kathy, my wife (and business partner) and I decided that if we were having difficulty getting parts, a lot of other Saab owners were in the same fix. The result was our first catalog, which many of you may still have, *The Finishing Touch, No. FT-1*. It had 6 pages and 28 items listed.

Time went by and more and more new NLS items appeared on Saab's parts microfiche. The crusade took on new momentum. A plea for Sonett sheet metal frame parts caused us to start manufacturing many of those pieces. Our own need for weatherseal parts prompted us to contract with one of the biggest manufacturers for those items. Then we were into light manufacturing ourselves and let contracts to local machinists and tradesmen who now supply us with many parts.

Time still marches on. The old Saab fleet is getting no younger. Pleas from owners of 99,900 and 9000 Saabs have caused us to move into some parts for those cars too. This catalog offering of Saab parts shows that we have come quite a long way since FT-1. We still do not have every part for every Saab. We do not intend to do that--ever. But what we offer are quality parts (many no longer available from Saab) at reasonable prices.

Kathy and I still run **DRAKENPARTS**, by ourselves. We have a bigger parts department and have improved our efficiency a lot. Had to if we ever wanted time to sleep! UPS brings parts in and takes your orders out every day, and it all gets done in a timely fashion. But if your parts get to you a day later than you think they should have, well, cut us some slack. This is no J.C. Whitney style operation here. By the way, when was the last time you could pick up the phone and talk to ol' JC about how to get the brake cylinders to retract so you could put in new pads on your 900? Try it sometime. It'll help you keep your perspective about an outfit that really likes Saabs and wants to help you repair or restore yours.

Telephone Order Service:

TO PLACE AN ORDER:

CALL 503-779-0731 9am to 5pm Pacific Time

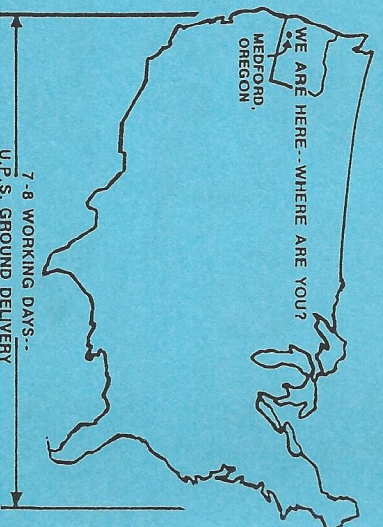
FAX 503-779-0788 anytime

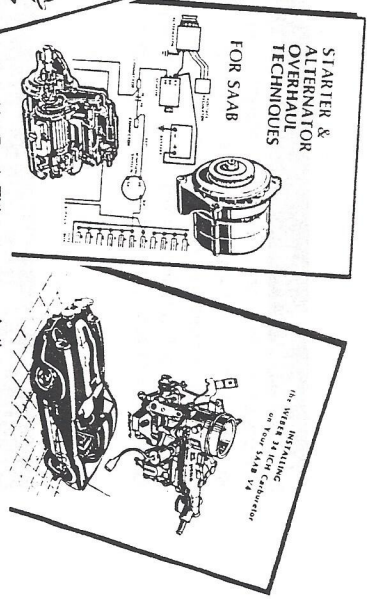
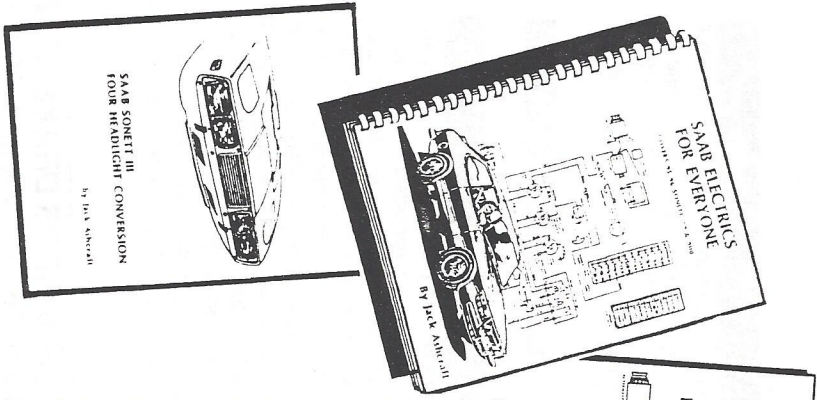
WE ACCEPT VISA & MASTERCARD
WE ACCEPT COMPANY CHECKS, PERSONAL CHECKS,
MONEY ORDERS. (US FUNDS ONLY, PLEASE)
SORRY, NO COD ORDERS ACCEPTED



2 DRAKENPARTS

MIKKAULT 88





Part No.	Book Title	Author
4052	Saab Electrics	Jack Ashcraft
4053	Saab Starter & Alternator Overhaul	Jack Ashcraft
4054	Sonett Headlight Conversion	Jack Ashcraft
4055	The Fast V4 (3rd Edition)	Jack Ashcraft
4056	Drakenscale & Buyers Guide to Vintage Saabs, V4 thru 900	Jack Ashcraft
4060	V4 Drivetrain Manual (NLS by Saab)	see note*
4061	Sonett III Shop Manual	Factory Reprint
4062	74 Sonett Owner's Manual	Factory Reprint
4063	Technique 1 (all the Technique articles from The Saab Journal, Volumes 1-6)	The Saab Journal
4064	Tech-How-To 1: All the technical how-to articles from The Saab Journal, Volumes 1-6	The Saab Journal
4065	Rebuilding Sonett Doors	Jack Ashcraft
4066	Installing Weber 34 ICH	Jack Ashcraft
4067	Saab 900 Electrics**	Jack Ashcraft

*An improved version of the factory manual, edited by Jack Ashcraft will be available later this year (1995).
 **Available Fall, 1995

Jack Ashcraft's books are probably the easiest to understand of their type. Written in a language everyone can understand, these books show you how to do it, often in a step-by-step manner.

Saab Electrics and Saab Starter & Alternator Overhaul show you how dozens of electrical items work, how to troubleshoot and hunt down those electrical gremlins in your Saab, and in many instances show you exactly how complex circuits in your car function. These are definitely books every Saab restorer or technician should have in his library.

The Weber 34 ICH Installation Book and Rebuilding Sonett Doors Manual are both the type that will save literally hours and hours of swearing and head scratching for the restorer.

Jack Ashcraft writes with the authority of someone who not only has done the work--many times--but who understand these cars very thoroughly.

900 Factory Manuals:

Part No.	Section	Subject	
4302	0	Tech Data	79-81
4302A	0	Tech Data	81-92
4303	2	"B" Engine	79-80
4303A	2.1	"H" Basic Engine	81-88
4303B	2.3	Fuel System	81-88
4303C	2.4	Exhaust, Turbo, Cooling	81-86
4304	3-1	Elect Sys / Instruments	79-86
4304A	3-1	Elect Sys / Instruments	87-93
4304B	3-2	Elect Sys Diagrams	84-86
4304C	3-2	Elect Sys Diagrams	87-88
4304D	3-2	Elect Sys Diagrams	89-90
4304E	3-2	Elect Fail/Trace, Diagrams, Operation	87-88
4305	3-4	Wiring Diagrams	87-88
4305A	3-4	Wiring Diagrams	1989
4305B	3-4	Wiring Diagrams	1990
4305C	3-4	Wiring Diagrams	1991
4306	4-1	Manual Transmission	79-88
4306A	4-1	Manual Transmission	1989
4307	5	Brakes	79-93
4307A	5.2	Brakes, ABS	90-93
4308	6	Front Susp./Steering	79-88
4309	7	Suspension	79-91
4310	8	Body	
4310A	8-1	Body Repairs	79-91
4310B	8.2	Interior	79-86
4310C	8.3	Heating	
4311	8.5	Convertible	
4311A	8.6	Air Bag	

9000 Factory Manuals:

4302B	0	Tech Data	85-90
4312	2.1	Basic Engine	86-89
4312A	2.1	Basic Engine (B234)	90-93
4312B	2.3	LH F.I. System	
4312C	2.4	Exh. Turbo, Cool Sys	86-87
4312D	2.5	Traction Control	91-92
4312E	2.5	Traction Control	91-92
4312F	2.6	DI/APC	
4312G	2.7	Thronic Mgmt Sys	
4313	3-1	Elect Sys, Instruments	1985
4313A	3-1	Elect Sys, Instruments	87-88
4313B	3-1	Tip Computer	90-92
4313C	3-2	Elect Sys Diagrams	87-88
4313D	3-2	Elect Sys Diagrams	86
4313E	3-2	Elect Sys Diagrams	87-88
4313F	3-2	Elect Sys Diagrams	91
4313G	3-2	Elect Sys/Fault Tracing	92
4313H	3-2	Elect Sys Diagrams	93
4314	3-4	Wiring Diagrams	87-88
4314A	3-4	Wiring Diagrams	89
4314B	3-4	Wiring Diagrams	90
4314C	3-4	Wiring Diagrams	91
4315	4.0	Transmission	
4315A	4.1	Manual Transmission	86-87
4315B	4.2	Automatic Transmission	86-87
4316	5-1	Brakes	86-90
4316A	5-2	Anti Lock Brakes	83-93
4316B	5-2	Anti Lock Brakes Mk II	1993
4317	6	Front Assy & Steering	85-92
4318	7	Suspension	86-91
4319	8	Body, 4 door	86-88
4319A	8.1	Body	86-87
4319B	8.2	Interior	86-87
4319C	8.3	Heating, Ventilation, AC	86-88
4319D	8.3	Auto Climate Control	90-93
4319E	8.6	Air Bag	88-91
4319F	8.6	Air Bag	92
4319G	9	Accessories	86-93

Owners' Manuals:

Model	Years	Remarks
99	74-80	Many available. Call for price
900	79-93	Call for price
9000	86-93	Call for price

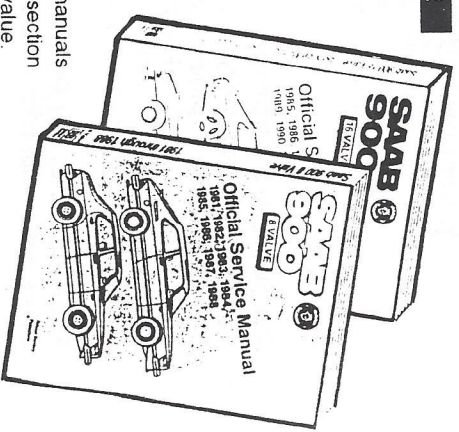
Factory Repair Manuals by section can save you money. You don't have to buy the section on bumpers if all you want to do is change the clutch. Each section is a reprint of the factory manual for that area of your Saab.

Price list---see page 32

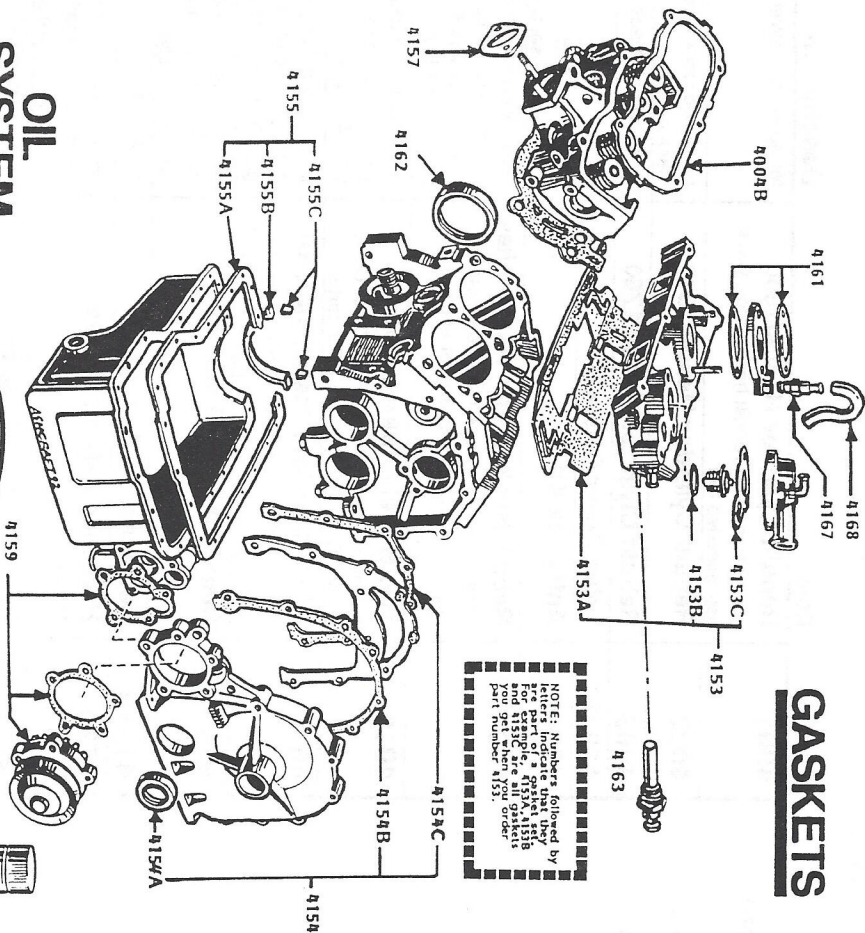
BOOKS & MANUALS

Bentley Manuals	
4300	900 Manual, 8 valve
4301	900 Manual, 16 valve

Robert Bentley Manuals are the best of the after market manuals for the Saab 900s. While they don't offer the depth of the factory section manuals, they are still quite thorough and well done and an excellent value.

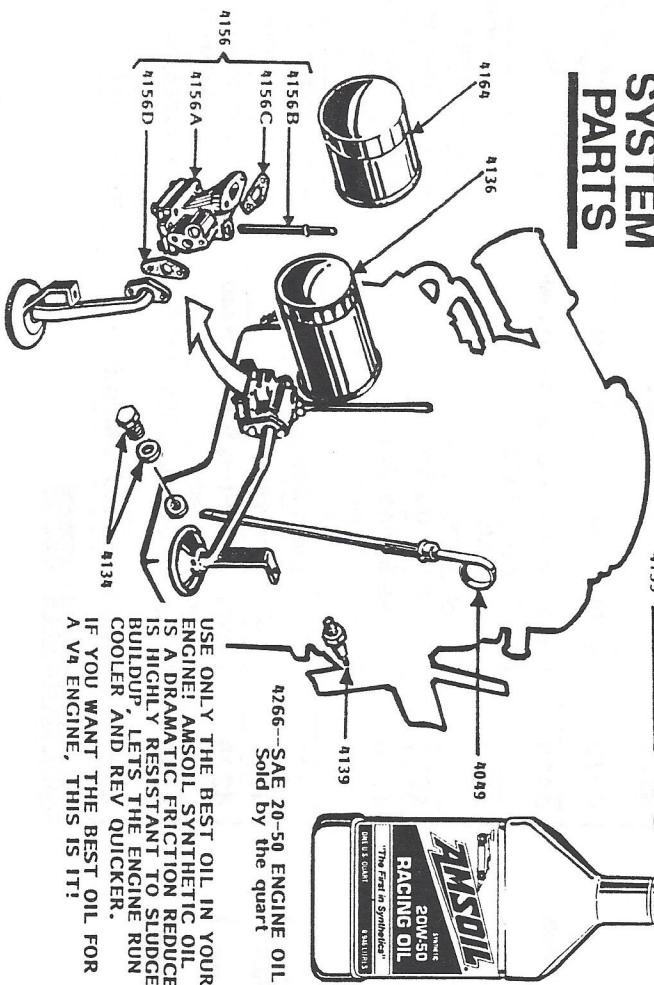


GASKETS



NOTE: Numbers followed by letters indicate that they are available in different colors. For example, 4153A, 4153B and 4153C are different part numbers. 4153 is the color you get when you order.

OIL SYSTEM PARTS

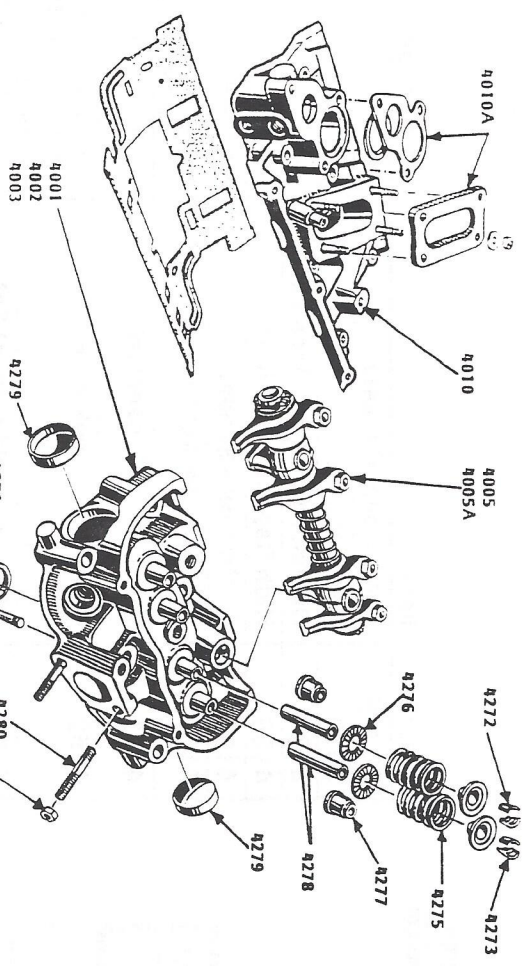


USE ONLY THE BEST OIL IN YOUR ENGINE! AMSOL SYNTHETIC OIL IS A DRAMATIC FRICTION REDUCER IS HIGHLY RESISTANT TO SLUDGE BUILDUP, LETS THE ENGINE RUN COOLER AND REV QUICKER. IF YOU WANT THE BEST OIL FOR A V4 ENGINE, THIS IS IT!



4266---SAE 20-50 ENGINE OIL Sold by the quart

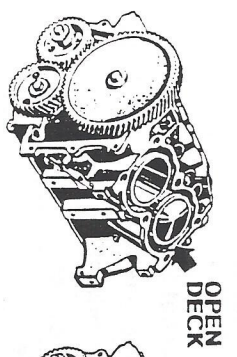
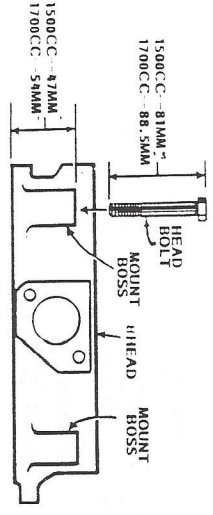
Part No	Item	Description
4004B	Valve Cover Gaskets	1 pair
4049	New Dipstick	
4134	Oil Pan Drain Plug, Washer	
4136	High Capacity Oil Filter	
4139	Oil Pressure Sender	heavy duty
4150	Overhaul Gasket Set	for 1500 blue & black & 1700 black closed deck
4151	Valve Grind Gasket Set	for 1500 blue, black / 1700 closed deck
4152	Conversion Gasket Set	all the gaskets from the heads down (head gaskets not included)
4153	Intake Manifold Gasket Set	includes 4153A, B, C
4153A	Intake Manifold Gasket	
4153B	Round Thermostat Gasket	
4153C	Flat Thermostat Gasket	
4154	Timing Cover Gasket & Seal Set	includes 4154A, B, C
4154A	Timing Cover Seal	
4154B	Timing Cover Front Gasket	
4154C	Timing Cover Rear Gasket	
4155	Oil Pan Gasket Set	includes 4155A, B, C
4155A	Flat Oil Pan Gasket	
4155B	Neoprene Rear Main Seal Gasket	
4155C	Pan Wedge Seals (2)	
4156	Oil Pump & Gasket Set	includes 4156A, B, C, D
4156A	High Volume Oil Pump	heavy duty
4156B	Oil Pump Drive Shaft	heavy duty
4156C	Oil Pump to Block Gasket	
4156D	Oil Pump to Pickup Gasket	
4157	Exhaust Flange Gaskets	pair
4159	Water Pump with Gasket Set	
4161	Carburetor Steel Base Gaskets	
4162	Rear Main Seal on Crankshaft	
4163	Water Temperature Sender	
4164	High Quality Oil Filter	
4167	PCV Valve	
4168	PCV Valve hose	
4266	AMSOL Synthetic Motor Oil	SAE 20-50



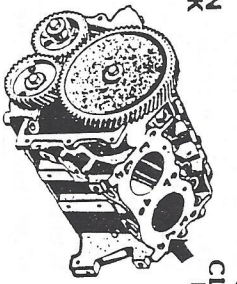
NOTES ON V4 CYLINDER HEADS:

There are 3 different cyl. heads for the V4 engine: 1) the OPEN DECK engine (early silver 1500) head, 2) The blue and black 1500 V4s closed deck engine head, and 3) The black closed deck engine head. The early open deck heads will NOT interchange with the later heads. You can identify the 1700 engines by the engine serial number: 174,000 or greater.

The DIFFERENCE between the CLOSED DECK heads is in the thickness of the head. This drawing shows where to measure your heads to determine which type you have. CLOSED DECK heads will interchange, but you must change the head bolts. Note the head bolt LENGTHS, shown in the drawing.

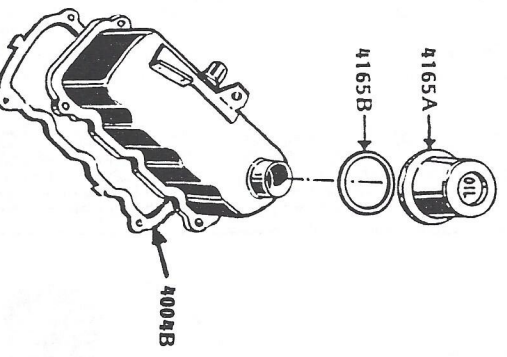


OPEN DECK



CLOSED DECK

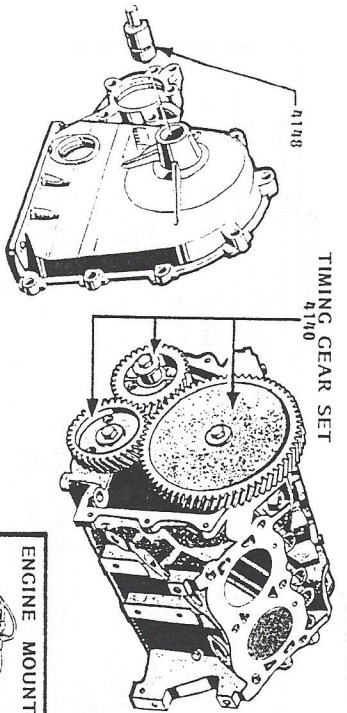
CYL. HEADS, INTAKE MANIFOLDS, PARTS



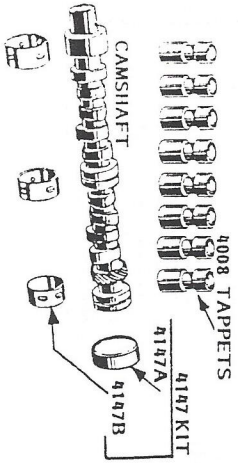
You can identify OPEN DECK heads because they have 1/2" deep threads for the spark plugs. The closed deck heads--all of them--use 3/4" reach spark plugs and have 3/4" deep threaded holes for the plugs.

Part No	Item	Description
4001	Rebuilt Cylinder Heads/1500	for open deck silver engine our professionally rebuilt heads allow you to use unleaded fuel
4002	Rebuilt Cylinder Heads/1500	for closed deck blue & black engines
4003	Rebuilt Cylinder Heads/1700	for closed deck black engines
4004B	Valve Cover Gaskets	pair
4004C	Anti Leak Kit	See page 18, Hi-Performance section
4005	Rebuilt Rocker Arm Assemblies	reconditioned with new rocker arms, rocker shafts, tension washers & roll pins, fully assembled
4010	Two Barrel Intake Manifold	modified & reconditioned so you get real power out of the V4 engine
4010A	2 BBL Manifold Installation Kit	Intake manifold gskt, thermostat gskts, carb isolator gskt, 4 studs, nuts/washers all metal cap w/ seal ring that mounts on valve cover. Not original style.
4165A	Standard V4 Oil Filler Cap	for 4165A
4165B	Replacement Seal Ring	allows use of unleaded fuel when used in heads with #4271 hard valve seats. must be installed by a machine shop
4270	Hardened Exhaust Valve	for #4270 valves which require 3 rib locks.
4271	Hardened Valve Seats	single rib split locks
4272	Split Locks (8 required per engine)	for #4270 valves which require 3 rib locks.
4273	Split Locks for std Saab intake valves	heavy duty replacement for original intake valves
4274	Intake Valve	replaces originals (set of 8)
4275	Valve Spring Set	8 req'd per engine. Come in different thicknesses: 0.050", 0.060" or 0.070"
4276	Valve Spring Shim	similar to orig umbrella type
4277	Valve Stem Seals	for intake or exhaust valves
4278	Valve Guides	old plugs must be removed to hot tank & clean heads
4279	Expansion Plug for Cyl Heads	metric grade 8 stud
4280	Stud for Exhaust Manifold	replaces original
4281	Nut for Exhaust Manifold	metric grade 8

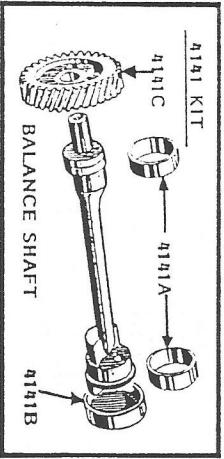
Price list---see page 32



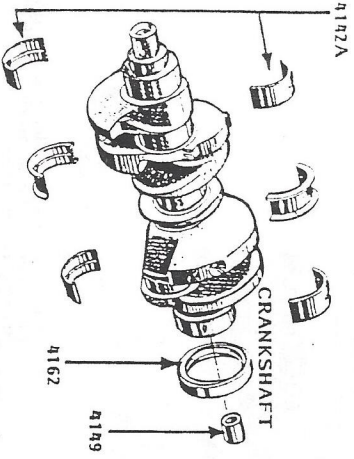
41148
TIMING GEAR SET



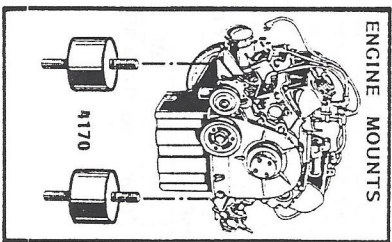
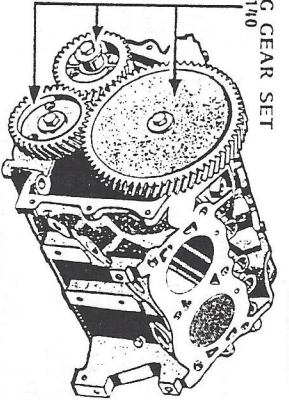
8008 TAPPETS
4147A
4147B
CAMSHAFT
4147 KIT



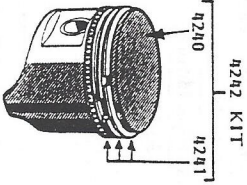
4141 KIT
4141C
4141A
BALANCE SHAFT
4141B



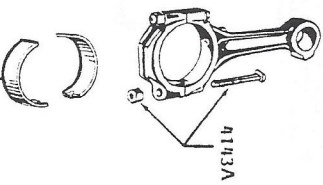
4149
4162
4142A
CRANKSHAFT
4142B
Main & Rod Bearing Kit (4142A Mains & 4142B Rod Bearings)



ENGINE MOUNTS
4170



4240
4241
4242 KIT



4143A
4142B

NOTE: Saab connecting rod bolts are torqued to stretch condition, may break if re-used. Replace them whatever you do!

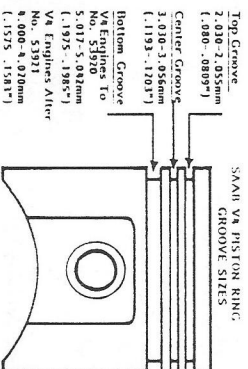
ENGINE PARTS

Part No	Item	Description
4008	Tappets (Cam Followers) <i>Must be changed if you change the cam.</i>	high strength precision replacement
4140	Timing Gears	Full set
4141	Balance Shaft Bearing Kit	includes #4141A & 4141C
4141A	Balance Shaft Bearing Set	bearing set & block plug
4141B	Balance Shaft Block Plug	rear of engine block
4141C	Balance Shaft Gear	tough nylon replacement
4141D	Balance Shaft Bearings <i>only</i>	
4142	Main & Rod Bearing Kit	specify std or oversize
4142A	Main Bearing Set	Specify std or oversize
4142B	Rod Bearing Set	Specify std or oversize
4142C	Plastigage Strip	To check bearing clearance
4143A	Connecting Rod Bolt & Nut Set	
4147	Camshaft Bearing Kit	incl bearings & block plug
4147A	Camshaft Block Plug	
4147B	Cam Bearing Set only	
4148	Fanshaft Bearing	
4149	Pilot Bushing	
4162	Rear Crankshaft Seal	
4170	Engine Mount, front	Replaces std. mount
4237	Pistons for 1500 V4 Engine Ford replacement piston. Set of 4. Very strong reliable pistons.	Requires 0.080" overbore & machine shop work on connecting rods to fit pistons.
4237A	Piston Rings for #4237	Set for 4 pistons
4238	Piston Rings, early V4 1500 For engines with original pistons.	Std. or .030" oversize only. Set for 4 pistons.
4239	Piston Rings, late 1500/ all 1700	Std. or .030" oversize. Set for 4 pistons.
4240	Pistons, V4 1700 Exc replacement pistons, better than OEM	Available standard bore or 0.030" oversize. Specify
4241	Piston Ring Set for #4240	Specify std or .030 oversize
4242	Piston Set Kit Save when you buy the kit	Includes #4240 pistons & #4241 rings. Specify size.

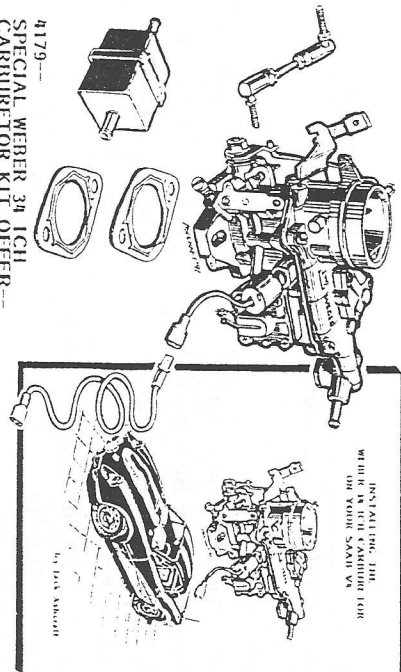
NOTE: Early and late 1500 engines could have had either 1500 or 1700 pistons. Check your engine to make sure which pistons you have.

NOTE: The late 1500 and all the 1700 V4s use the same piston RINGS. However the pistons are NOT interchangeable between 1500 and 1700 engines.

NOTE: Measure ALL your ring grooves. If ring groove wear is excessive the pistons must either be re-paired or replaced. Measure carefully or have your machinist do it for you.



FUEL SYSTEM PARTS



4179--**SPECIAL WEBER 34 ICH CARBURETOR KIT OFFER--**

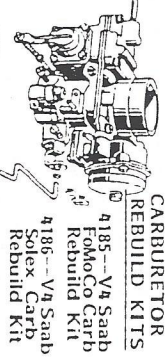
Kit includes the things you should use to install the 34 ICH Weber Carb on your Saab V4: 4180 carb, 4181 choke control kit, two 4161 steel carb base gaskets, 4181A wire ass'y, 4011 ball socket linkage and 4066 How-To-Install Book.

4180--WEBER 34 ICH Carburetor--Single barrel Weber adds amazing smoothness plus more power/mileage to your Saab V4. Manual choke eliminates all choke problems. Excellent How-To-Install book included. Replaces either Solex or FolMoCo carbs.

4066--How-to-Install book separately.

4181--Manual Choke control kit for 34 ICH.

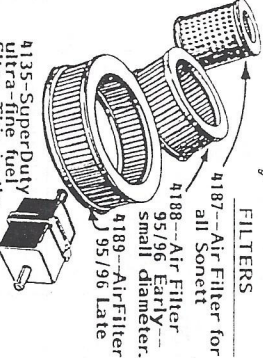
4182--Rebuild kit for the Weber 34 ICH Carb.



CARBURETOR REBUILD KITS

4185--V4 Saab FolMoCo Carb Rebuild Kit

4186--V4 Saab Solex Carb Rebuild Kit



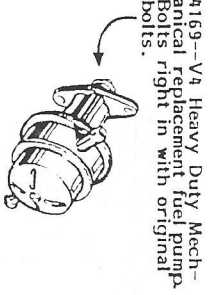
FILTERS

4187--Air Filter for all Sonett

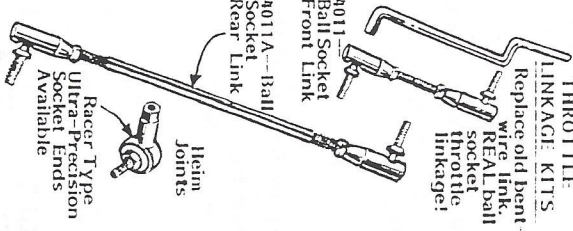
4188--Air Filter 95/96 Early--small diameter.

4189--Air Filter J 95/96 Late

4135--SuperDuty ultra-fine fuel filter. This is the best there is for a Saab V4!



4169--V4 Heavy Duty Mechanical replacement fuel pump. Bolts right in with original bolts.



THROTTLE LINKAGE KITS

Replace old bent wire link with REAL ball socket throttle linkage!

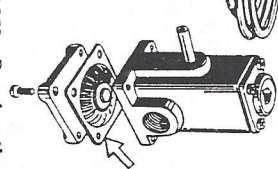
4011--Ball Socket Front Link

4011A--Ball Socket Rear Link

Racer Type Ultra-Precision Socket Ends Available

Heim Joints

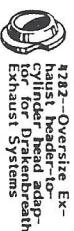
FOR HEIM JOINT RACER LINKAGES SEE PAGE 20



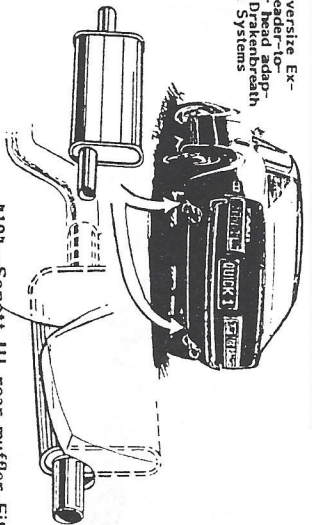
4352--Deceleration Valve diaphragm

Part No.	Item	Description
4011	Ball Socket Front Throttle Cross Link	Replace stock link for smoother throttle
4011A	Ball Socket Rear Vertical Throttle Link	Replaces original, takes stiffness out
4011B	Sonett Ball Socket Kit	Includes 2 new bushings for rotating throttle rod.
4011B-1	Ball Socket Kit for 95/96	With rear bushings
4066	How to Install the Weber 34 ICH Carb	Step-by-step with illustrations
4135	Fuel Filter	Super fine, heavy duty
4169	Fuel Pump, mechanical Heavy Duty	Supplied with gaskets
4179	Exclusive 34 ICH Carburetor Kit	Includes #4066 How-To-Install book
4180	Weber 34 ICH Carburetor	Carb only
4181	Manual Choke Cable Kit	For 34 ICH or 32/36 DGV
4182	Rebuild Kit - for 34 ICH Carb	
4185	Rebuild Kit - for FolMoCo Carb	Saab 95/96/97 V4
4186	Rebuild Kit - for Solex Carb	Saab 95/96/97 V4
4187	Sonett Air Filter	Fit all Sonetts w/ V4 engine
4188	Air Filter - Early Saab 95/96	Models with small diam. filter
4189	Air Filter - Late Saab 95/96	Models with large diam. filter

4193	Sonett III Exhaust System	AVAILABLE SOON
4194	Sonett Rear Muffler	Fits under fender, welding required
4196	Exhaust Pipe Mount	Includes nuts & washers
4200	Saab 96 Muffler	Fits under fender, welding required
4282	Oversize Exhaust Adaptor	2 req'd. For Drakenbreath Systems
4352	Deceleration Valve Diaphragm	Replaces original



4282--Over-size Exhaust Adaptor for Drakenbreath Exhaust Systems



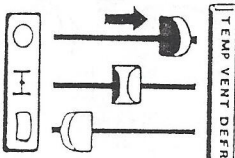
4194--Sonett III rear muffler. Fits up under the fenders like originals. QUIET!

4200--Saab 96 Replacement muffler. QUIET! Fits up under fender. Welding required.

4196--Original style exhaust pipe mount. Includes new nuts & washers.



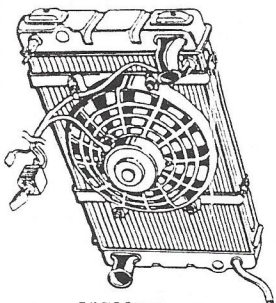
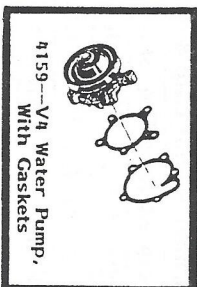
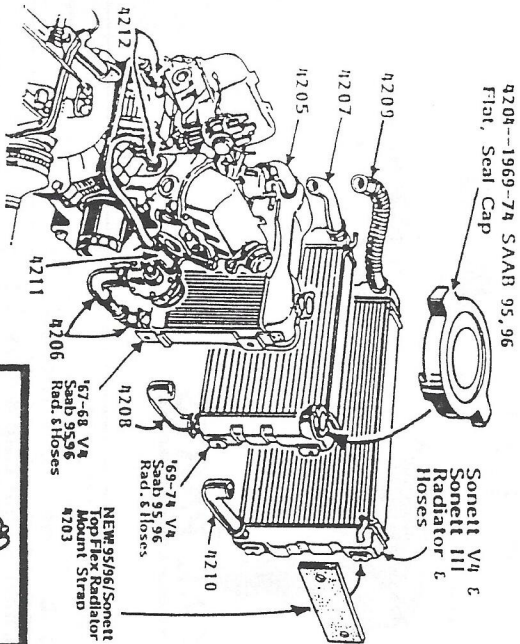
REPLACEMENT V4 HEAT CONTROL VALVES



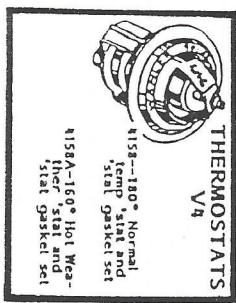
These replacement heat control valves are supplied complete conversion kits to replace old corroded, leaking or worn standard heat control valves on any Saab (1955-74) or any Saab Sonnett. Complete step-by-step instructions come with each kit.

Heat Control Valve Kits

- 4014A---Sonnett V4 to Ser# 1258
- 4014---Sonnett V4 After Ser# 1258
- 4015---Saab 95/96 V4 (all)



NEW! SONETT ELECTRIC FAN CONVERSION! REPAIRS mechanical fan, requires removal of mech. fan mount from front of V4 timing cover. Kit includes fan assembly, mounts, switch, connectors, instructions. (Radiator not included).



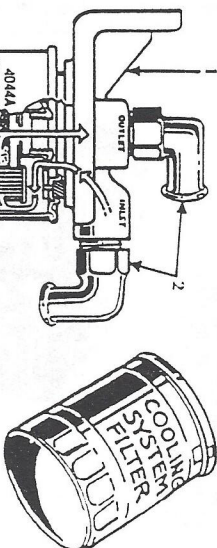
4158---180° Normal Temp. Stat and Steel Gasket Set
4158A---160° Hot Wea- Ther. Stat and Steel Gasket Set

COOLING SYSTEM PARTS

Part No	Item	Description
4014	Heat Control Valve Kit	Sonnett V4 after ser. # 1258
4014A	Heat Control Valve Kit	Sonnett V4 up to ser# 1258
4015	Heat Control Valve Kit	all 95/96
4044	Cooling System Filter Kit	all 95/96 V4
4044A	Replacement Filters	all coolant systems
4045	Cooling System Filter Kit	Sonnett V4
4046	Cooling System Filter Kit	Sonnett III
4158	180° Thermostat	Includes gaskets
4158A	160° Thermostat	Includes gaskets
4159	V4 Water Pump & Gasket Set	
4203	Radiator Mount Strap	
4204	Flat Radiator Cap	for 95/96, 1969-74
4205	Radiator Hose, Top	for 95/96, 1967-68
4206	Radiator Hose, Bottom	for 95/96, 1967-68
4207	Radiator Hose, Top	for 95/96, 1969-74
4208	Radiator Hose, Bottom	for 95/96, 1969-74
4209	Radiator Hose, Top	all Sonnets w V4 engine
4210	Radiator Hose, Bottom	all Sonnets w V4 engine
4211	Block Hose to Water Pump,	all V4 engines
4212	Block Hose to Rear of Engine	2 required
4348	Hi Quality Fan Belt	earlier 95/96/ all Sonnets
4349	Hi Quality Fan Belt	later 95/96

NOW! FILTER YOUR COOLANT! ADD YEARS OF LIFE TO YOUR SAAB ENGINE!

These filters do wonders for big truck engines. They can do wonders for your Saab engine, too!



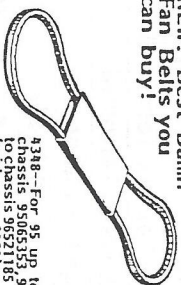
CUTAWAY OF COOLANT FILTER

1. FILTER MOUNT
2. HOSE ADAPTERS
3. FILTER CAN
4. TIME RELEASE CAP/VALVE
5. FILTER MATERIAL

These coolant filtration systems are similar to those used in long-haul truck engines. The filtration of coolant system corrosion is absolutely necessary. Using these filters, big trucks filter over 1,000,000 miles with little change in the filter itself. A time release capsule in the filter discharges the filter material at about 12,000 miles. The filter spins off like an oil filter at change time. Each filter kit for your Saab is complete and can be installed with a few simple steps. No special tools or drills. Step-by-step instructions are included. This thing really works!

- 4044---Kit For Saab 95/96 V4
- 4045---Kit For Sonnett III
- 4046---Kit For Sonnett III
- 4044A---Replacement Filters

NEW! Best Damn Fan Belts you can buy!



- 4348---For 95 up to chassis 95053163 to chassis 96521163 (mid-year 1969) and all Sonnets.
- 4349---For 95 after chassis 95053533, 96 after chassis 96521165.

Many shift problems on high mileage V4 cars can be traced to this part. Excess wear here can make clutch release nearly impossible. Our release arms are completely rebuilt, realigned and sold on an exchange basis.

Eliminate the free-wheel and free-wheel problems. A simple kit with easy to follow illustrated instructions. Trans-axle must be out of the car to install the kit.

New cylinder replaces, corroded, pitted, lockhead cylinder. NEW cylinder includes new flex hose to slave cylinder, complete illustrated instructions.

LOOK FOR WEAR
4042
Rebuilt Clutch Release Arm, for All V4 Cars

4039
Freewheel Neutral Kit

4236
Slave Cylinder

4016
Clutch Master Cylinder

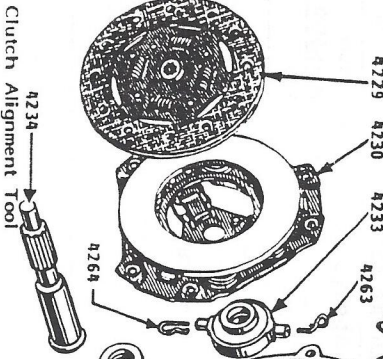
4217
Return Spring



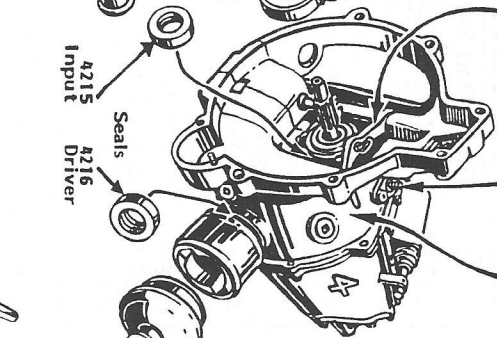
NEW! Speedometer Cable Assemblies!

4109	Sonett V4
4110	V4 95/96 thru 1969
4111	V4 95/96 1970 onward
4112	Sonett III

Clutch Pres. Release Disc Plate Bearing
4229 4230 4233



4215 Input
4216 Driver



4218 Outer Boot
4219 Inner Boot

4234 Clutch Alignment Tool



4080
SONETT SHIFTER KIT

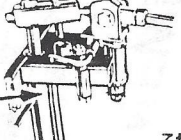
Simple kit locates shifter to driveline and mounts it in modern car. Helps prevent self-aligning reverse on 3rd, 4th, 5th, 6th gears. Easy-to-install. Transmission saver!

TRANS GASKETS
4364--TOP COVER
4365--REAR COVER 7 BOLT, EARLY
4366--REAR COVER 8 BOLT, LATE

4269--TRANSAXLE OIL DIPSTICK

4171--TRANSAXLE REAR MOUNT

4007--TRANSAXLE NOISE REDUCER



4360--BUSHING KIT SONETT III SHIFTER, INCL. 2 BUSHINGS, A GREASE ZERK, INSTRUCTIONS.

4363--SONETT TAPER PIN & NYLOCK NUT

4361--TRANSAXLE MAGNETIC DRAIN PLUG. FITS ALL RIB CASE TRANS. REPLACES SAAB PLUG THAT REVD SPL. TOOL FOR REMOVAL.

4362--DUST COVER FOR SHIFTER BALL SOCKET



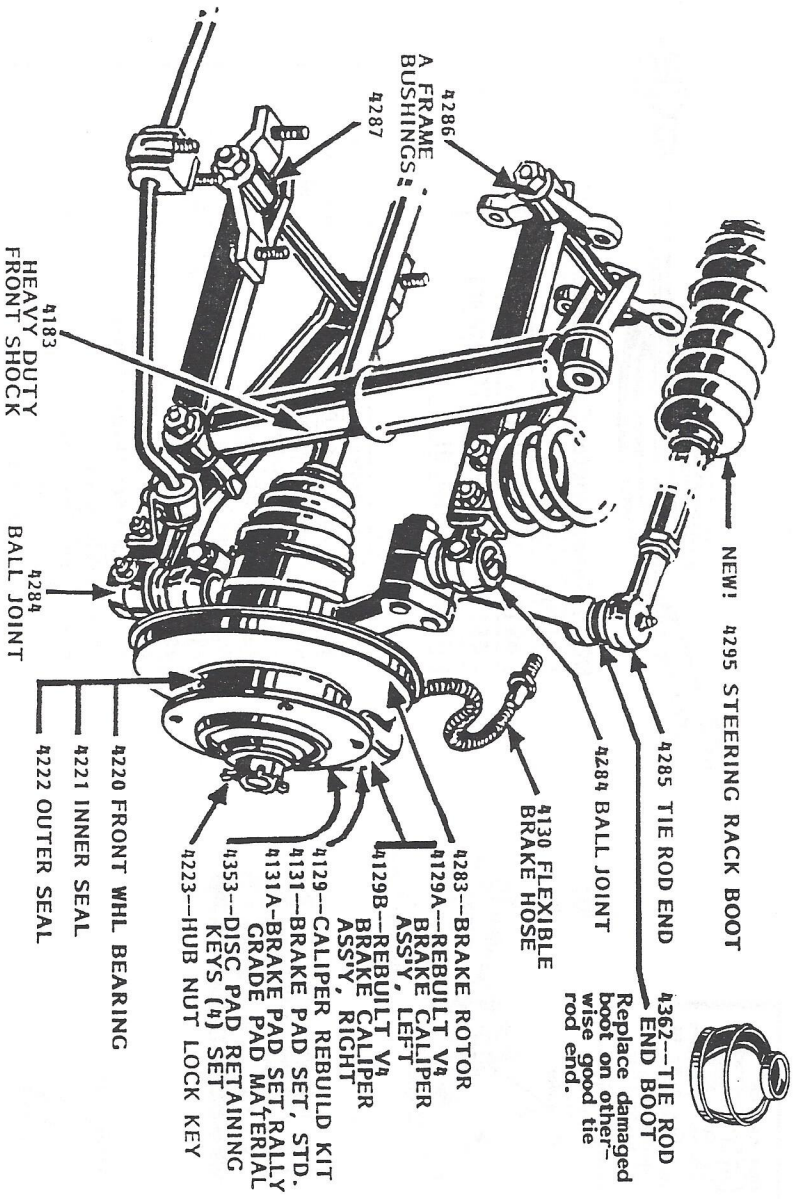
THE BEST THING YOU CAN DO FOR A SAAB TRANSAXLE: USE AMSOIL!

- 4265-AMSOIL SAE 75/90, QUART
- 4265A-AMSOIL SAE 75/90, GALLON
- 4265B-AMSOIL SAE 80/90, QUART
- 4265C-AMSOIL SAE 80/90, GALLON

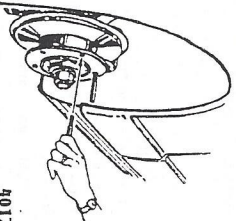
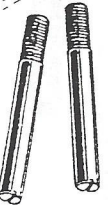
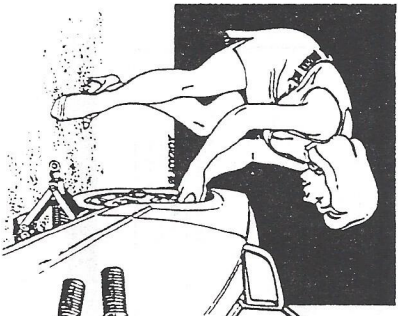
Part No. Item Description

4016	Clutch Master Cylinder	Changover kit, Japanese
4016A	Master Cylinder Rebuild Kit	For Japanese cyl, not orig
4039	Freewheel Neutral Kit	Eliminate troubles
4040	Sonett III Shifter Kit	A transmission saver!
4042	Rebt Clutch Release Arm Kit	Makes clutch work right
4047	Noise Reducer Kit	Fits all Sonetts
4171	Transaxle Rear Mount	Fits 95/96/Sonett
4215	Input Shaft Seal	
4216	Drive Axle Seal	2 reqd
4217	Clutch Pedal Return Spring	For Sonetts
4218	Outer Axle Boot	Replaces original
4219	Inner Axle Boot	Replaces original
4229	Clutch Disc	
4230	Pressure Plate	
4233	Release Bearing	
4234	Clutch Alignment Tool	Saves frustration
4235	Clutch Slave Rebuild Kit	For original lockhead cyl
4236	Clutch Slave Cylinder	Replaces original
4244	Clutch Master Cyl Rebuild Kit	For original lockhead cyl
4263	Top Release Bearing Clip	
4264	Bottom Release Bearing Clip	
4265	Amsoil Translube synthetic oil	1 qt SAE 75/90
4265A	Amsoil Translube synthetic oil	1 gal SAE 75/90
4265B	Amsoil Translube synthetic oil	1 qt SAE 80/90
4265C	Amsoil Translube synthetic oil	1 gal SAE 80/90
4269	Transaxle Oil Dipstick	
4360	Bushing Kit, Sonett III Shifter	2 kits req'd per car
4361	Transaxle Magnetic Drain Plug	Fits rib case transaxes
4362	Dust Cover, shift link	Protects ball socket
4363	Taper Pin & Nylock Nut	
4364	Gasket	Top cover, all 95-96-97
4365	Gasket, rear cover (7 bolt)	For early smooth case
4366	Gasket, rear cover (8 bolt)	For late rib case

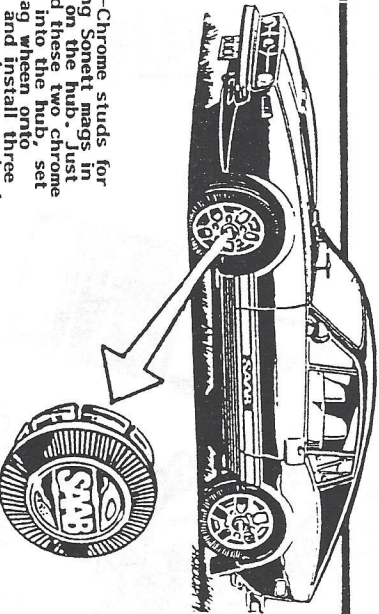
Price list---see page 32



95/96/97 FRONT END PARTS



4017--Chrome studs for putting Sonett mags in place on the hub. Just thread in these two chrome studs into the hub, set the mag wheel onto them, and install three of the regular mag wheel bolts. Then remove the chrome studs, put the last two bolts in place, tighten the five lug bolts and you're done. Saves your clothes and your blood pressure!



4288--Wheel center caps for Sonett socketball mags. Roughed black plastic caps snap in from the outside, look good and add a nice finishing touch to the car.

Part No	Item	Description
4017	Chrome Studs	For Sonett mags
4129	Caliper Rebuild Kit (for 2 callipers)	95/96/97
4129A	Rebuilt Front Caliper (ATE)	Left
4129B	Rebuilt Front Caliper (ATE)	Right
4130	Flexible Brake Hose	67-74 95/96/97
4131	Brake Pad Set	67-74 95/96/97
4131A	Rally Grade Brake Pad Set	67-74 95/96/97
4183	Front Shock Absorbers	Heavy duty. Fits all 95/96/97
4220	Front Wheel Bearing	95/96/97
4221	Inner Seal for front wheel bearing	
4222	Outer Seal for front wheel bearing	
4223	Locking Key	For fl axle nut
4283	Brake Rotor	
4284	Ball Joint	
4285	Tie Rod End	
4286	Upper A Frame Bush	
4287	Lower A Frame Bush	
4288	Wheel Center Caps	Clamps included
4295	Steering Rack Boot	
4353	Disc Pad Retaining Keys	Set of 4
4362	Tie Rod End Boot	Fits 95/96/97

4367 - Remanufactured

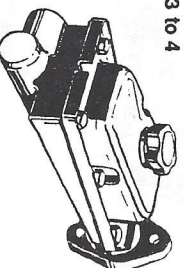
Brake M/Cylinder

1965-68 95/96, all Sonetts
 Superb workmanship! We must have
 your cylinder to rebuild. Allow 3 to 4
 weeks. Call for details.

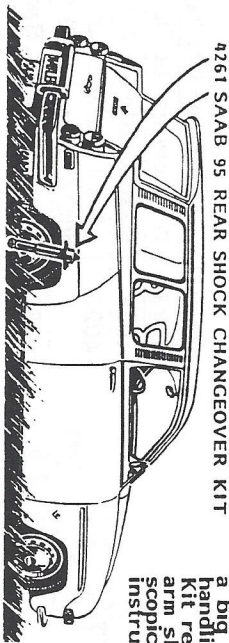
\$239.00 plus frt.

(Additional cost if
 your cylinder has
 internal rust damage)

NEW!



95/96/97 REAR AXLE, BRAKE PARTS



4261 SAAB 95 REAR SHOCK CHANGEOVER KIT

This kit not only improves the ride of the 95 but makes a big improvement in the handling of these haulers. Kit replaces the ancient lever arm shocks with modern telescopic shocks. Step-by-step instructions are included.

4231
4231A
4289
CENTER AXLE SUPPORT BUSHING

4239
TRAILING ARM BUSHING. Keeps the rear axle from shifting around under braking loads

4184 REAR SHOCK

4232--BRAKE ADJ. TOOL Square box end wrench fits perfectly. Exc. quality.

4172 AXLE LIMIT STRAP

4176 SOCKET TO ADJUST R. BRAKES (Ratchet Not Included)

4173 BRAKE SHOE SET

4224 OUTER BEARING

4225 96/97 INNER BRG.

4226 95 INNER BEARING

4227 BEARING SEAL

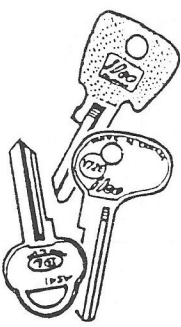
4228 AXLE NUT KEY

4132--CYLINDER ASS'Y

4132A--BOOT Fits around emergency brake lever, keeps dirt, water out. Exact re-placement.

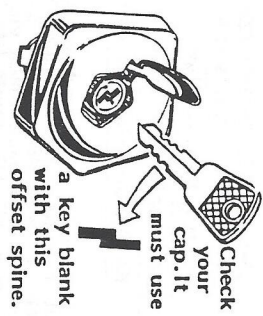
NOW! WE OFFER 3-DAY SHIPPING ANYWHERE IN U.S.A. ON PARTS IN STOCK

KEY BLANKS



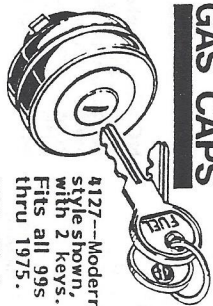
- 4120--Ignition, Sonett II, V4
- 4121--Door, Sonett II, V4
- 4122--Ignition, Sonett III
- 4123--Door, Sonett III
- 4124--Ign. & Doors, 95/96 Thru 1971
- 4125--Ign. & Door, 95/96 1972-73

4126--Gas Cap Key Blank, for original 5-sided cap as shown here.



Check your cap. It must use a key blank with this offset spine.

LOCKING GAS CAPS



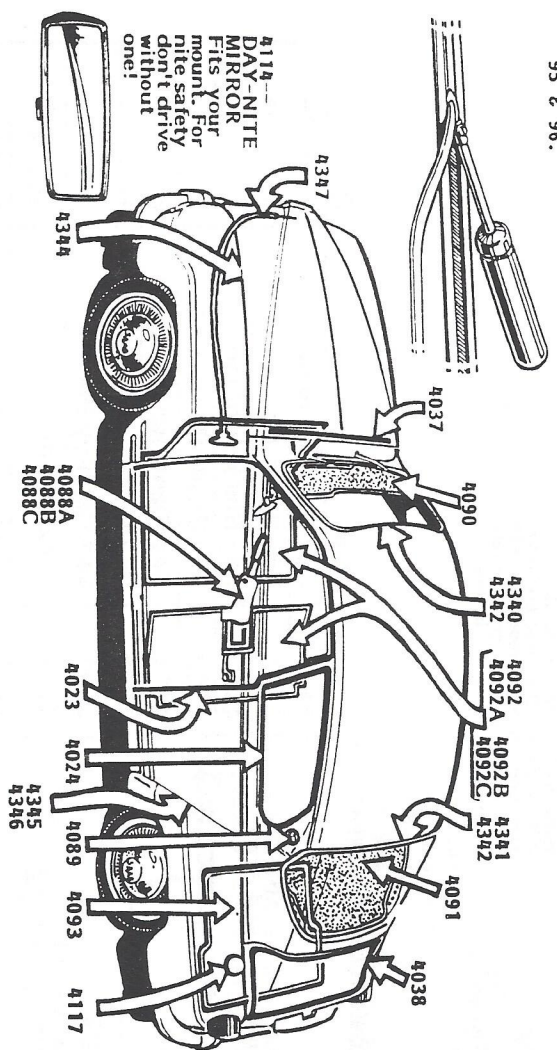
4127--Modern style shown, with 2 keys. Fits all 99s thru 1975.
4128--Similar cap w/2 keys for Sonett III.

NEW!

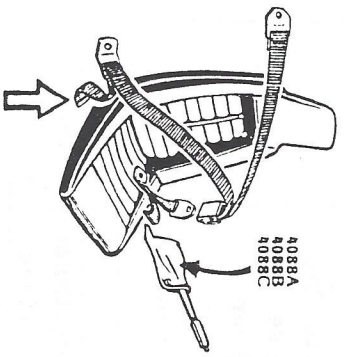
- 4132A Boot, Em. Brk. Lever Arm
- 4231 Cable Ass'y, Emerg. Brake
- 4231A Cable Ass'y, Emerg. Brake
- 4232 Wrench, R. Brk. Adjustm't

Part No	Item	Description
4120	Key Blank, Ignition	Sonett II, V4
4121	Key Blank, Door	Sonett II, V4
4122	Key Blank, Ignition	Sonett III
4123	Key Blank, Door	Sonett III
4124	Key Blank, Ignition/Door	95/96 thru 71
4125	Key Blank, Ignition/Door	95/96 72-73
4126	Gas Cap Key Blank	
4127	Locking Gas Cap	Fits all 99s thru 1975.
4128	Locking Gas Cap	Sonett III
4132	Rear Brake Cylinder Assy	
4133	Flexible Brake Hose	
4172	Rear Axle Limit Strap	Non-asbestos
4173	Rear Brake Shoe Set	Fits 1/4" drive
4176	Rear Brake Adjusting Socket	
4184	Rear Shock, 96	
4224	Rear Wheel Bearing-Outer	95/96/97
4225	Rear Wheel Bearing-Inner	96/97
4226	Rear Wheel Bearing-Inner	95
4227	Seal, Rear Wheel Bearing	95/96/97
4228	Axle Nut Locking Key	
4261	95 Rear Shock Changeover Kit	2 shocks, mounts, hardware
4289	Rear Axle Center Bushing Kit	Allows wider tires on Sonett
4294	Brake Spring Kit	(for both sides)
4299	Trailing Arm Bushing	

4343--Tool to insert windshield & rear window chrome molding trim. For Saab 95 & 96.



4114--DAY-NITE MIRROR Fits your mount. For nite safety don't drive without one!



THREE-POINT SAFETY HARNESS SET

These fit all Saab 95/96 and Sonett. Hardware included for late 95/96s to replace the harness loop between the seats. These harnesses can be used in rear seat applications (95/96) where factory anchor points are provided. Super strong. Federally approved harnesses. One set is for TWO seats. These sets do not have retractors.

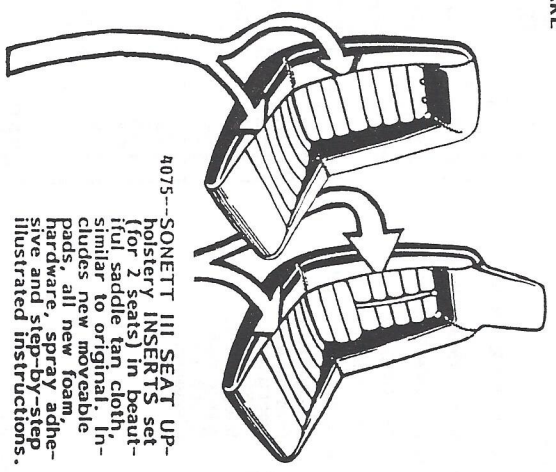
DON'T BET YOUR LIFE ON OLD, WORN, DAMAGED BELTS!

4027--3-Point Set in Black
4027A--3-Point Set in Gray
4027B--3-Point Set in Red
4027C--3-Point Set in Tan

EMERGENCY BRAKE COVERS--
Available in rich black, gray, or tan. Covers arr edge stitched into place and look very nice.



4113--**PEDAL PADS**
Exact replacement. Fits 95/96/Sonett--all. Don't let old, grubby pedal pads spoil your new interior!



4075--**SONETT III SEAT UPHOLSTERY INSERTS** set (for 2 seats) in beautiful saddle tan cloth, similar to original. Includes new moveable pads, all new foam hardware, spray adhesive and step-by-step illustrated instructions.

4087--**SONETT II & V4 SEAT UPHOLSTERY INSERTS**. Hi quality nubby stitched black vinyl, similar to original. Includes all new foam, hardware, spray adhesive and step-by-step illustrated instructions.

NOTE:
These kits are for seat INSERTS only, do not include side or top vinyl pieces. Your vinyl pieces can often be cleaned and re-sprayed for a nearly new look.

95/96 PARTS, HARNESS SETS, SONETT SEAT INSERTS

Note: Our weatherstrip kits have step-by-step illustrated instructions!

4023	Weatherstrip Kit, Doors, 95/96	Fits 1965-73. (for 2 doors)
4024	Weatherstrip Kit, Side Rear Windows	Fits 96, 1965-73 (for both sides)
4027	3 Point Harness Set, Black 4027A Gray, 4027B Red, 4027C Tan	Fits all 95/96/97, fits 2 seats.
4037	Weatherstrip Kit, Back of Hood 95/96	Keeps water out of fusebox, heater & hydraulics area.
4038	Weatherstrip Kit, Trunk Opening 96	Fits all years
4075	Sonett III Seat Insert Kit with pads	Saddle tan color
4087	Seat Insert Kit, Sonett II V4 w/o pads	Black nubby stitched vinyl
4087A	Seat Insert Kit, Sonett II V4 with pads	Black, nubby stitched vinyl
4088A	Emergency Brake Cover, Black 4088B- Dark Gray 4088C- Saddle Tan	For 95/96/97, heavy vinyl
4089	Replacement Emblem (says Saab-Scania)	For C pillar vent on 96
4090	Dash Top Cover, all 95/96	Carpeted black pad, vinyl binding
4091	Hat Shelf Cover Kit, all 96	Carpeted pad covers back shelf
4092	Cabin Carpet Set, 96 Fine quality auto carpeting with a heavy sound deadening pad attached	Black carpet with black heel pad, edges bound with black vinyl.
4092A	Cabin Carpet Set, 96	Gray carpet, black heel pad
4092B	Cabin Carpet Set, 96 Same as #4092 but fits 72-73 with duct for rear seat heating.	Black carpet with black heel pad
4092C	Cabin Carpet Set, 96 Same as #4092B but fits 72-73 with duct for rear seat heating.	Gray carpet w black heel pad.
4093	Luggage Compartment Carpet, 96	Black carpet, sound deadens
4093A	Luggage Compartment Carpet, 96	Gray carpet, sound deadens

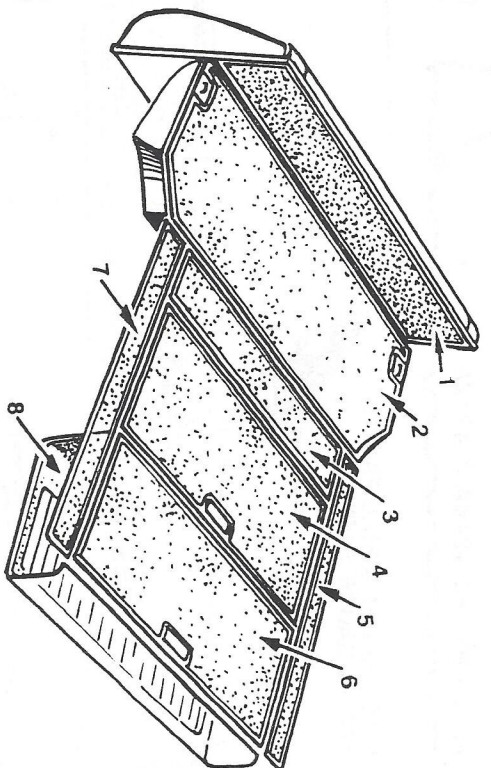
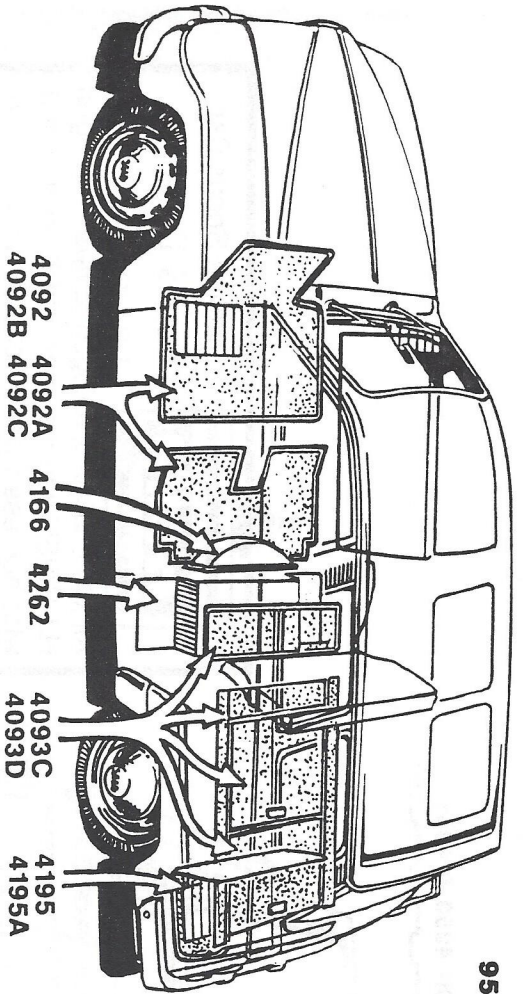
4117	Fuel Filler Grommet, 95/96	Fits 1961-68 cars.
4340	Windshield Chrome Insert, 95/96 For cars after mid-year 1971, ser/#96622146, #95100982	Perfect replacement for original.
4341	96 Rear Window Chrome Insert	Covers where ends meet
4342	Finish Plates for Chrome Insert	Makes the job easy!
4343	Chrome Insert Tool Don't chance breaking the glass using a screwdriver to install the chrome strip.	Slight trimming required.
4344	Fender Welt '65 95/96 fr. fender (1 side only)	
4345	96 Rear Fender Welt (1 side only)	
4346	95 Rear Fender Welt (1 side only)	
4347	Killer Hood Release Wire Fits 95/96	Heavy duty, chromed T handle.

NOTE: Sonett seats just slide in and out, are easily switched, year-to-year. Your car may not have its original seats. Saab used low back, black vinyl seats on all Sonetts to Ser. No. 001228. Ser. No. 1229 to the end of the model run in 1969 had high back black vinyl seats, some of which had moveable lumbar support pads. All Sonett IIs had high back cloth insert seats with moveable lumbar pads. A few 73-74 Sonetts had optional leather upholstered seats. We cannot supply the leather inserts.

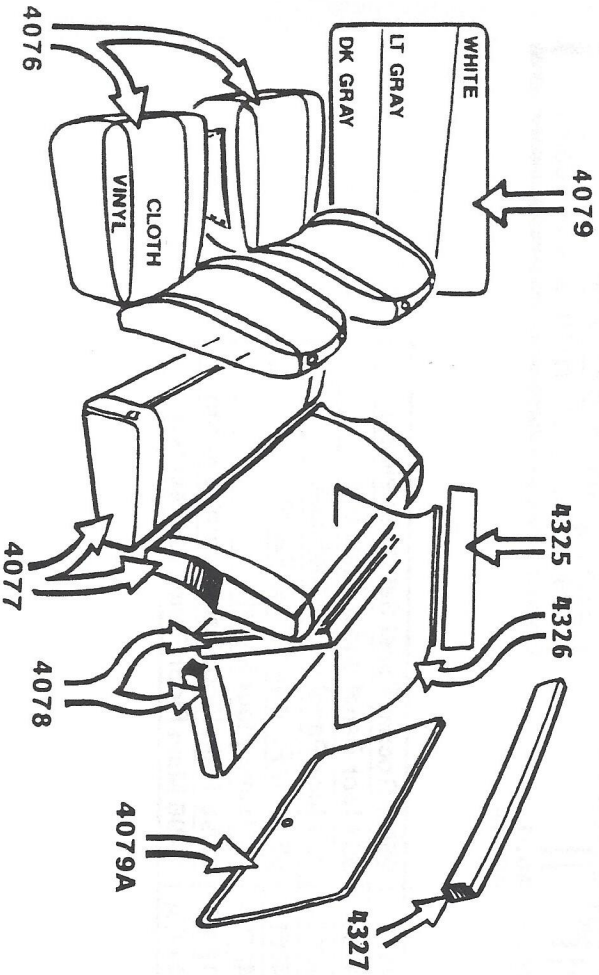
95 CARPET & UPHOLSTERY, 95/96 SEAT COVERS

95 CARGO AREA CARPET: ITEMS 1-7

FOOTWELL CARPET: ITEM 8



UPHOLSTERY ITEMS



Part No.	Item	Description
4076	95/96 High Back Seat Cover Set	Black vinyl sides & back, rich gray nylon cloth center inserts
4077	95 Center Seat Upholstery Kit	Black vinyl sides & back, rich gray nylon cloth center inserts
4078	95 Rear Facing Seat Upholstery Kit	Black vinyl sides & back, rich gray nylon cloth center inserts
4079	95/96 Door Upholstery Panels (Set of 2)	Vinyl in 3 colors: off white, light gray, dark gray (see drawing)
4079A	Rear Hatch Door Upholstery Panel	Black vinyl
4092	95 Cabin Carpet Set	Black carpet w/ black heel pad, edges bound in black vinyl
4092A	95 Cabin Carpet Set	Gray carpet, black heel pad
4092B	95 Cabin Carpet Set	Black carpet, black heel pad
4092C	95 Cabin Carpet Set	Gray carpet w/black edge binding
4093C	95 Luggage Compartment Area Carpet	Black carpet w/ black edge binding
4093D	95 Luggage Compartment Area Carpet Set, 7 piece	Gray carpet w/ black edge binding
4325	95 Side Panel Upholstery	Black vinyl mounted on new board
4326	95 Side Panel Upholstery	Black vinyl
4327	95 Rear Seat Header Upholstery	Black vinyl
4166	95 Spare Tire Cover	Black vinyl with snaps
4262	95 Spare Tire Cover (Tough gray cloth)	Protects seat upholstery when seat is folded down
4195	95 Rear Footwell Carpet	Black w/ black heel pad
4195A	95 Rear Footwell Carpet	Gray w/ black heel pad

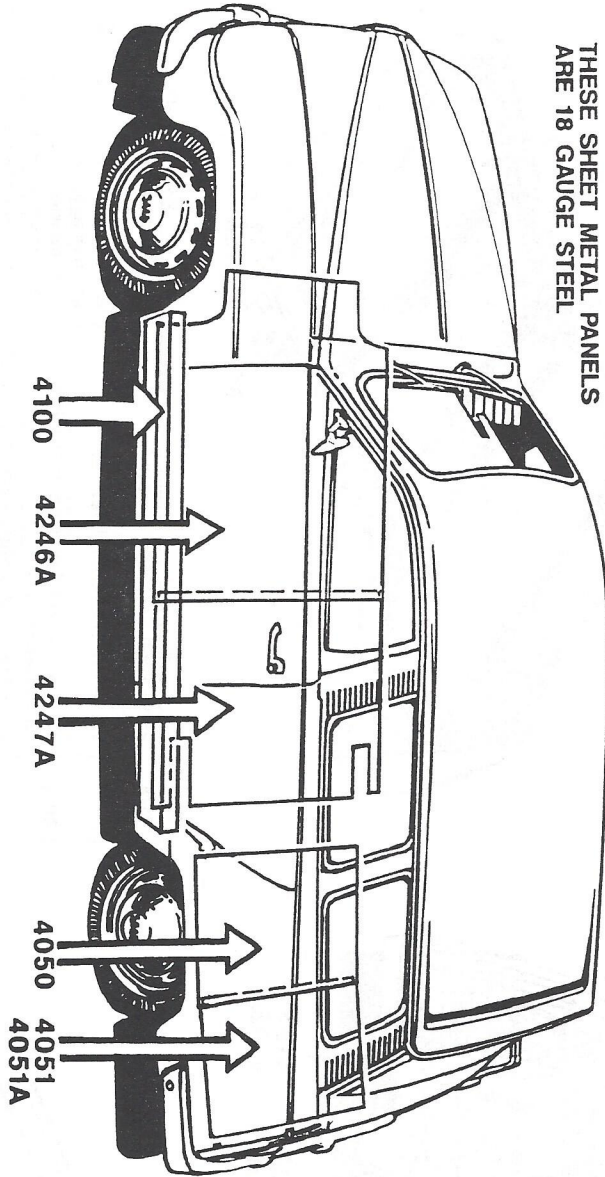
Price list---see page 32

95/96 SHEET METAL FRAME PANELS

SECTIONS:



THESE SHEET METAL PANELS ARE 18 GAUGE STEEL



4100	95/96 Rocker Panel Set (both sides)
4050	95 Floor Panel under fuel tank
4050A	96 Floor Panel under fuel tank
4051	95 Rear Footwell Floor Panel
4051A	96 Trunk Floor Panel
4246A	95/96 Main Floor Panel, front section
4247A	95/96 Main Floor Panel, rear section




Slimline Sports Car Fog & Driving Lamp Kits

All kits contain 2 halogen lamps, 2 halogen H3 12V55W bulbs, prewired & color coded wire harness with 12 volt fused relay, illuminated rocker switch and 2 stone shields.

5900	Driving Lamp Kit
5901	Fog Lamp Kit - white
5902	Fog Lamp Kit - Amber
5903	Stone Shield Replacement Covers

THE SAAB JOURNAL
TECHNICAL MAGAZINE



WRITTEN BY SAAB PROS

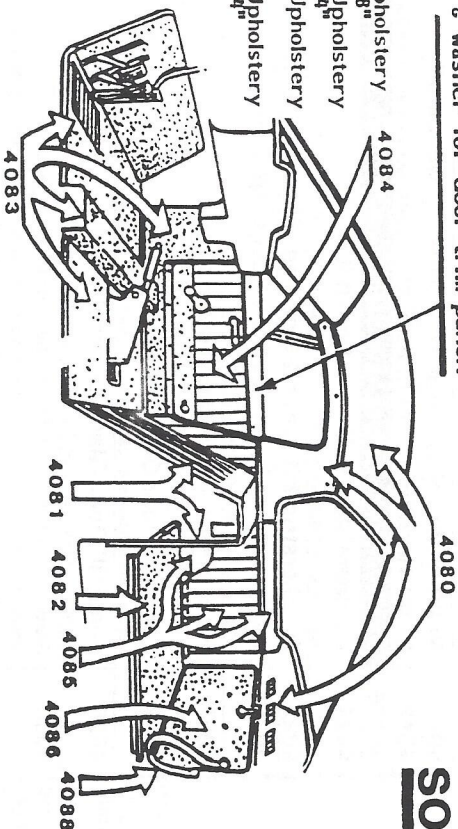
HIGHLY ILLUSTRATED ■ HOW-TO ARTICLES ■ SIX ISSUES/YR ■ 44 PAGES OF INFO ON YOUR SAAB ■ \$44/YR USA, \$52/YR CANADA, \$65/YR O'SEAS ■ VISA/MC

SUBSCRIBE NOW!

4305 DARK HOLLOW ROAD, MEDFORD, OR 97501
503-779-0731



4094D--Sonett II & V4 Screw & washer for door trim panel.



SONETT II, V4 UPHOLSTERY KITS



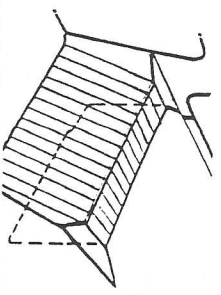
4059--RAZOR KNIFE, Folding, lock-in-place. There are tools and then there are KILLER TOOLS that just work better than anything else you can get better to scrape the old foam and crud off the roof than ANY other tool I've ever found. Uses regular single edge razor blades, closes to a "safe" position for storage and opens to 3 locked positions for use. It angles JUST RIGHT for the Sonett roof. Treat yourself to a really good tool that is exactly right for the job for a change! Just DO it!

- 4094--Chrome Upholstery Screw, Size 8x5/8"
- 4094A--Chrome Upholstery Screw, Size 8x3/4"
- 4094B--Chrome Upholstery Screw, Size 8x1"
- 4094C--DkGray Upholstery Screw, Size 8x3/4"

4080 HEADLINER KIT

This is a high quality, pattern-cut headliner in light gray cloth with foam backing. Kit includes the headliner, the side trim pieces above and immediately behind each door, spray adhesive new screws & washers and COMPLETE ILLUSTRATED INSTRUCTIONS! You can install the kit yourself--with a friend's help and it is NOT necessary--or desirable--to remove the windshield or the heaven for-bid, the rear window! The headliner alone will make you think you have a new car--these are NICE!

4081--Full bulkhead cover replacement kit, in stitched, black vinyl, similar to original. Includes large front-to-back piece and smaller side pieces. Makes the inside look new!



Full Bulkhead Replacement Cover Kit--Covers it all, from the full back, over the top, down the front, and includes the smaller sections behind the doors and on top of the bulkhead at the sides. Roll bar must be removed to install this kit.

4082--Luggage floor carpet. This pattern cut piece is heavily padded, looks great and cuts noise & vibration from the tail of the car. Black with black binding.

4083--Cabin carpet set. Pattern cut for correct fit. All exposed edges of this rich black carpet are bound in black vinyl. Black heel pad sewn on driver's side as shown. A thick pad is glued to the flip side of all pieces that are not glued to the car. Spray adhesive and full instructions included.

4084--Door panels, in stitched, rubber by vinyl similar to original with carpeted lower area. New upholstery is mounted on a new backing board. New plastic vapor barrier sheet is included as are clips (or screws) and full instructions.

4085--Luggage area sides, 4-piece, in black stitched vinyl similar to original. Small vinyl pieces over the fender wells are included, and the two stitched pieces have a strip of headliner (that fits under the rear window) attached. Side pieces are mounted on new board with sound deadener pad mounted on the back. Full instructions included.

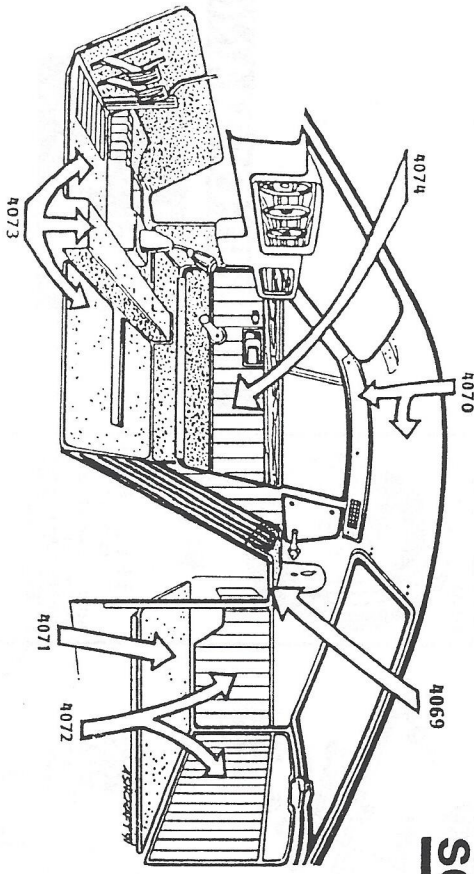
4086--Luggage door carpet. Pattern cut black carpet with black vinyl edge binding. Spray adhesive and instructions included in kit.

4088--Luggage Door Strap. Black leather strap cut to length, with brass grommets installed in each end. Give your Sonett the final like-new look!

Part No.	Item
4059	Razor Knife
4080	Headliner Kit, Sonett II/V4
4081	Full Bulkhead Cover Replacement Kit, Sonett II/V4
4082	Luggage Floor Carpet, Sonett II/V4
4083	Cabin Carpet Set, Sonett II/V4
4084	Door Panels, Sonett II/V4
4085	4 Piece Luggage Area Sides, Sonett II/V4
4086	Luggage Door Carpet, Sonett II/V4
4088	Luggage Door Strap, Sonett II/V4
4094	Chrome Upholstery Screw, 8x5/8"
4094A	Chrome Upholstery Screw, 8x3/4"
4094B	Chrome Upholstery Screw, 8x1"
4094C	Dark Gray Upholstery Screw, 8x3/4"
4094D	Door Trim Chrome Screw, Sonett V4

Price list---see page 32

SONETT III UPHOLSTERY KITS



Part No.	Item
4069	Full Bulkhead Cover Kit, Sonett III
4070	Headliner Kit, Sonett III
4071	Luggage Area Floor Carpet for Sonett III
4072	Luggage Area Side Kit for Sonett III
4073	Eleven Piece Cabin Carpet Set, Sonett III
4074	Door Panels, Early Sonett III
4074A	Door Panels, Late Sonett III

4069--Full Bulkhead Cover Kit. Covers entire bulkhead, includes the smaller sections of the cover behind the doors and on top of the bulkhead at the sides. Roll bar must be removed to install this replacement cover. Material is tan stitched vinyl similar to the original cover. Very good quality.

4070--Headliner Kit. The material used is a light, saddle tan color cloth with foam padding. These headliners are pattern cut for fit. We include new trim panels, above the doors, spray adhesive, upholstery screws and complete, illustrated instructions. You can install the headliner yourself but it is much easier if you have a helper. This headliner will look like a custom job when it is in place--VERY nice!

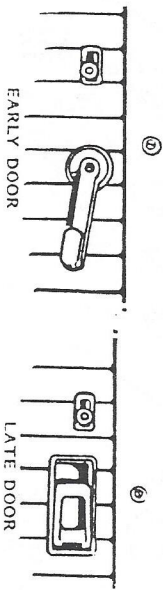
4071--Luggage Area Floor Carpet in thick saddle tan color carpet with matching vinyl edge binding. Has a heavy pad mounted to the back to reduce noise and vibration from the back of the car. Looks, feels very rich. NICE!

4072--Luggage Area Side Kits. Three piece, in stitched saddle tan color vinyl, mounted on new warp-resistant upholsterer's board. Each of the 3 pieces have a heavy pad attached to the flip side to reduce noise. These panels give an "as new" look to the back of the car are pattern cut for fit.

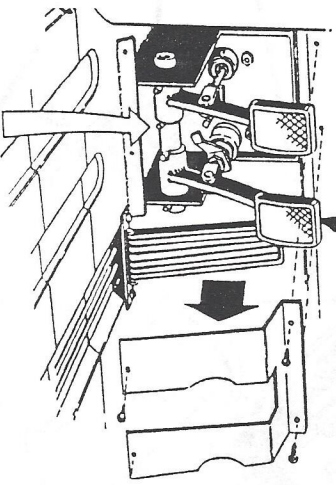
4073--Eleven Piece Cabin Carpet Set. Top quality nylon carpet with all exposed edges bound in matching saddle tan color. Carpet has a heel pad sewn in on the driver's side floor piece and on the console cover as shown. Spray adhesive is included to glue down some of the carpet panels, as was done originally. A thick pad is mounted on the back of all pieces not glued to the car. All pieces are pattern cut in this exceptional kit and full instructions are included.

4074--Door Panels, Early Car. Made of stitched, saddle tan color vinyl mounted on new warp-resistant upholsterer's board. New vapor barrier sheet is included for each door panel, as are new clips and full instructions. See the sketch for the correct panels for your Sonett.

4074A--Door Panels, Late Car. Same as 4074 except made to fit the later doors. See the sketch for the correct panel for your car. Both the styles have matching nylon carpet at the bottom of the door panels as shown, similar to the original door panels.

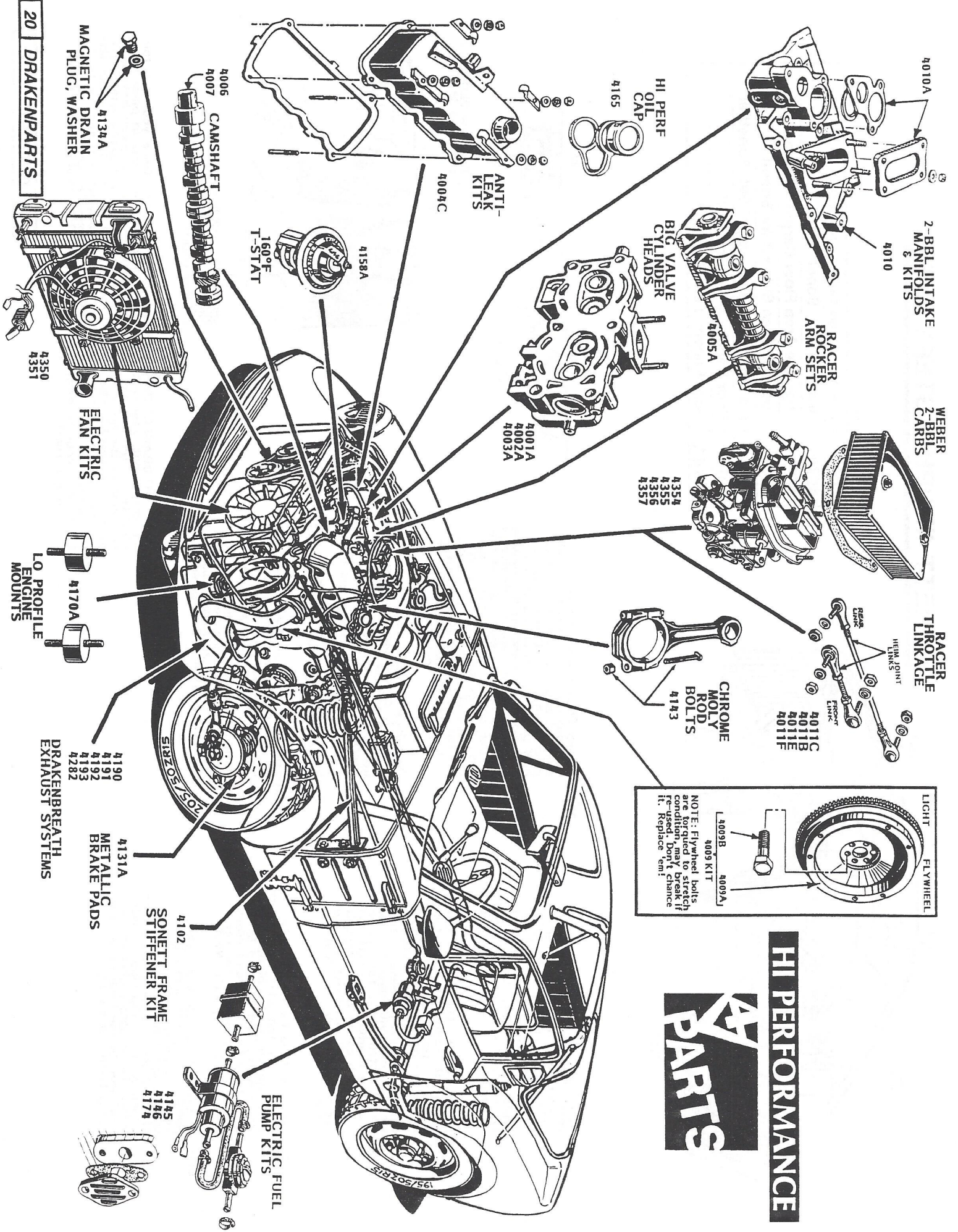


For new PEDAL PADS, see page 14.



NOTE: HYDRAULIC BRAKE FLUID EATS CARPET! Once you have the old carpet out, remove the screws holding the toe panel in place behind the clutch & brake pedals and inspect for leaks. Small leaks may be found at the push rods going into the clutch and brake master cylinders. Thoroughly clean up any brake fluid on the floor. Replace any leaking cylinders. Keep any brake fluid off any painted surface as it is a wonderful paint remover! Use solvent (mineral spirits) on a cloth for final cleanup of brake fluid. Wipe dry. Only then should you put down new carpet!

20 DRAKENPARTS



MAGNETIC DRAIN PLUG, WASHER
4134A

CAMSHAFT
4007

160°F T-STAT
4158A

ANTI-LEAK KITS
4009C

HI PERF OIL CAP
4165

2-BRL INTAKE MANIFOLDS & KITS
4010

BIG VALVE CYLINDER HEADS
4005A

RACER ROCKER ARM SETS

4001A
4002A
4003A

WEBER 2-BRL CARBS

4354
4355
4356
4357

RACER THROTTLE LINKAGE
HEAVY DUTY

4011C
4011B
4011E
4011F

CHROME MOLDY RODS
4143

LO PROFILE ENGINE MOUNTS
4170A

DRAKENBREATH EXHAUST SYSTEMS
4190
4191
4192
4193
4282

METALLIC BRAKE PADS
4131A

SONETT FRAME STIFFENER KIT
4102

ELECTRIC FUEL PUMP KITS
4185
4186
4174

LIGHT FLYWHEEL

4009B
4009A

NOTE: Flywheel bolts are forged to stretch condition, may break if re-used. Don't chance it. Replace em!

HI PERFORMANCE

DRAKEN PARTS

All of our hi-performance cylinder heads have much bigger intake & exhaust valves, have enlarged exhaust ports and considerable under-valve chamber porting for dramatically improved air flow. We install hardened exhaust valve seats for use with unleaded fuel. New guides, stem seals and heavier valve springs are used. These heads will handle up to 7500 rpm without valve float. Heads are lightly surfaced for perfect fit with your engine block. These heads really let your engine breathe, to take advantage of better carburetion and exhaust systems and produce much more horsepower than stock heads. See the regular engine section of this catalog for the correct heads for your engine.

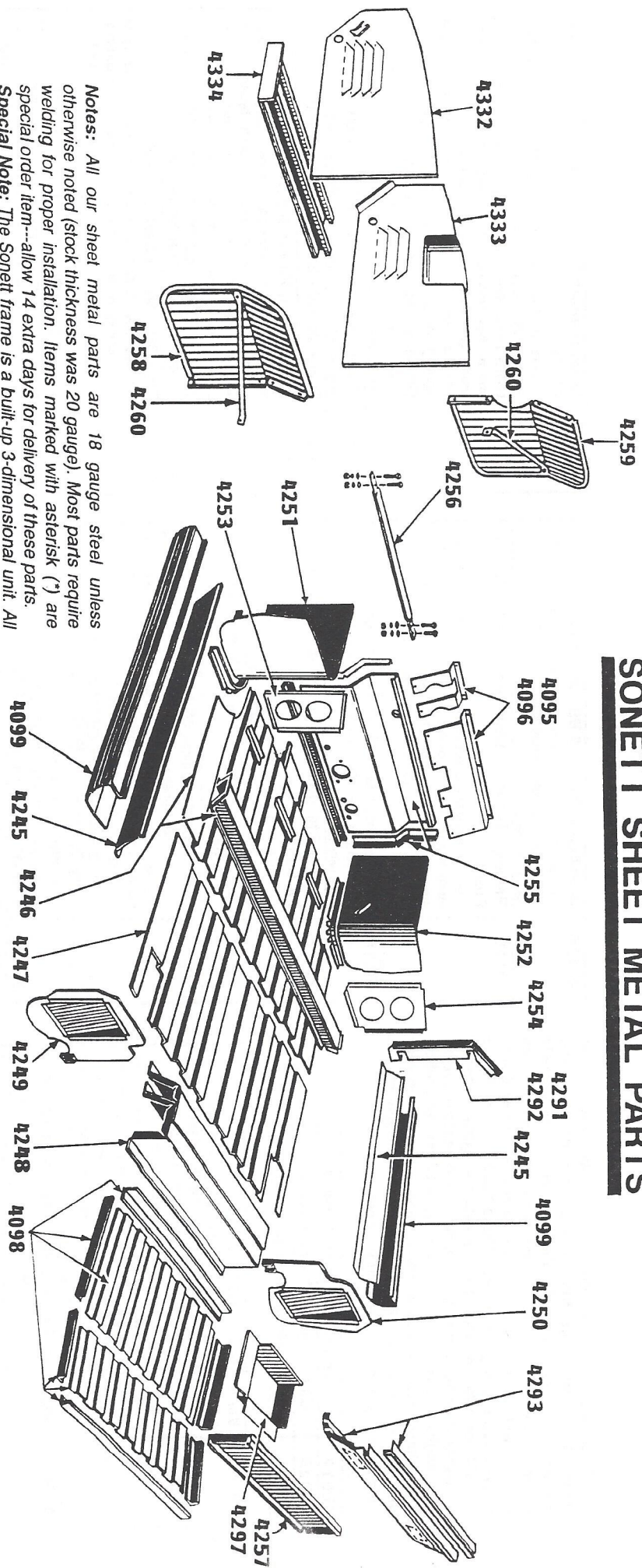
4001A	1500 Open Deck Engine Heads
4002A	1500 Closed Deck Engine Heads
4003A	1700 Closed Deck Engine Heads
4004C	Valve Cover Anti-Leak Kit Easy to install. Chrome bars help gaskets seal firmly. Keep oil inside the engine. Kit works very well. Looks good!
4005A	Racer Needle Bearing Rocker Arm Set Reduced friction means faster revving and more power and that's what these units do. Precision needle bearings are fitted between the rocker arms and the rocker shafts. Special mount system prevents rocker shaft bending at elevated rpm. If you are serious about performance for your V4, these needle bearing rocker arms are a must!
4006	Reground, Rebuilt, Rehardened Camshaft Ground to Iskenderian™ F4 specs. This grind is undetectable until you put your foot down. Then it dramatically improves torque and power. Superb cam for the street, particularly for 95/96 cars. Idle's just like a stocker but really lets the engine come alive when you need it.
4007	F66 Reground, rebuilt, rehardened Camshaft Another Iskenderian™ spec, these need the idle set to about 1200 to be smooth, and the performance is about like a stocker until you get to 3500 rpm. Then it makes you think the V4 is a Ford 289! <i>It just blasts!</i> Great cam for Sonetts (where a bit less low-end torque is no big problem) or for any engine you intend to use for auto crossing. Not a bad street cam but it does not like to be lugged or asked to produce a lot of power below 3000 rpm.
4009	Lightened Flywheel Kit Lets your engine rev up quicker. Stock flywheel for the V4 weighs 16.5 lbs, this one weighs about 12.5 lbs. Idle is as smooth as ever, as is clutch action, but the engine just performs better because there is less flywheel mass to accelerate and decelerate. Great for stock or modified engines. Kit includes the flywheel and six new mount bolts.
4009A	Lightened Flywheel only
4009B	Flywheel Mount Bolts only (6)
4010	Two Barrel Intake Manifold Allows use of a number of Weber 2 bbl carburetors, which is really the only way to go for real power. (Larger single barrel carbs usually have flat spots and are much less than satisfactory for street use.) If you want power when you need it, reasonable mileage and smooth operation all the time, go to a two barrel carb and manifold.

4010A	Installation Kit for 2 BBL Manifold Includes new manifold-to-heads gasket, 2 1-stat gaskets, carb isolator gasket, mount studs, bolts & washers and a new PCV valve.
4011C	Racing Throttle Link with Heim Joints, Front Link from the rotating rod to the carburetor. These links are made of precision ball socket Heim joints threaded onto the proper length rod. Throttle action is smooth and very precise. Now you can have professional quality linkage for your car!
4011D	Racing Throttle Link with Heim Joints, Rear Rear, verticle link. Replace that old, stiff link and plastic joints with the real stuff!
4011E	Racing Throttle Link with Heim Joints Kit for Sonetts Includes front and rear links and new plastic bushings for the rotating rod portion of your throttle linkage.
4011F	Racing Throttle Link with Heim Joints Kit for 95/96
4102	NEW! Sonett Frame Stiffener Kit We found that Sonetts will flex just ahead of the firewall and this kit eliminates most of that problem, makes the suspension work as designed, improves both ride and handling and lets us get the race car around the track faster! Some welding is required. Full instructions included!
4131A	Rally Grade Front Brake Pad Semi metallic pads great for mountain driving, racing and for use in a car where a good load is carried often.
4134A	Magnetic Oil Drain Plug & Washer
4143	Chrome Moly Connecting Rod Bolt & Nut Set Designed to keep the lower end all together at high engine speeds such as you might encounter in autocross or competition driving. Easily good to 8000 rpm, bolts won't stretch or break. Set of 8 bolts & nuts.
4145	Electric Fuel Pump Kit for 95/96 Similar to #4145, but pump mounts under the back seat.
4146	Electric Fuel Pump Kit for Sonett Includes the pump, a special mounting bracket, two filters, a fuel pressure regulator, hookup wire & connectors, fuel hose and clamps and instructions. Pump fits behind the bulkhead as shown, out of the harsh high temp engine bay environment. Set your fuel pressure for street or for competition.
4158A	160°F V4 Thermostat For hot weather competition. Not recommended for normal street use but works well on any V4 that is driven in city traffic in hot weather.
4165	Hi-Performance Oil Filler Cap If that sounds funny, consider this: This cap fits twice as deeply on the valve cover pipe as the original, has a better internal seal and a tough heat resistant retainer strap
4170A	Low Profile Engine Mounts Gives extra 1/2" of clearance, lowers engine center of gravity for autocross racing applications.
4174	Blank-off Plate Ribbed aluminum plate for the V4 engine block when an electric fuel pump is used.

4190	Drakenbreath Extractor Exhaust System for 96 V4 Easy to install with our step-by-step instructions. No welding required, all mounts and hardware included. This system boosts power three ways: 1. Larger diameter pipe spells less air flow restriction, 2. Tuned length headers extract spent gas from the combustion chamber, increasing efficiency, and 3. Low restriction quiet muffler flows gas more efficiently. You should see a 6-10 hp improvement!
4191	Drakenbreath Exhaust for 95 V4 Same as #4190 but with a slightly different mount for the muffler at the rear of the car.
4192	Drakenbreath Exhaust for Sonett V4 Slightly different headers due to different frame on Sonett
4193	Drakenbreath Exhaust for Sonett III
4350	Electric Fan Kit for Sonett V4 Saves 3-5 hp by not turning the engine cooling fan. Full kit includes fan, mounts, thermostatic switch, bypass switch, wires, connectors, relay, instructions. Note: The front cover of the engine must be modified to remove stock fan bearing housing to give room for the electric fan.
4351	Electric Fan Kit for Sonett III
4354	Two BBL Weber Carburetor Kit Includes new 32/36 DGV 5A carb, with linkage & jetting for V4 Saab engines fitted with our #4010 manifold. Included in the kit are #4356 Chrome Air Filter, a #4011C Throttle Link, a #4181 Manual Choke Kit and instructions.
4355	Weber 32/36 DGV 5A Carburetor only
4356	Chrome Air Filter, Gasket for #4355 Carb
4357	Rebuild Kit for Weber 32/36 DGV 5A Carb

Please Note: Some high performance parts may be legal only for off-road use in some states, parts of other states.

SONETT SHEET METAL PARTS



Notes: All our sheet metal parts are 18 gauge steel unless otherwise noted (stock thickness was 20 gauge). Most parts require welding for proper installation. Items marked with asterisk (*) are special order item---allow 14 extra days for delivery of these parts.

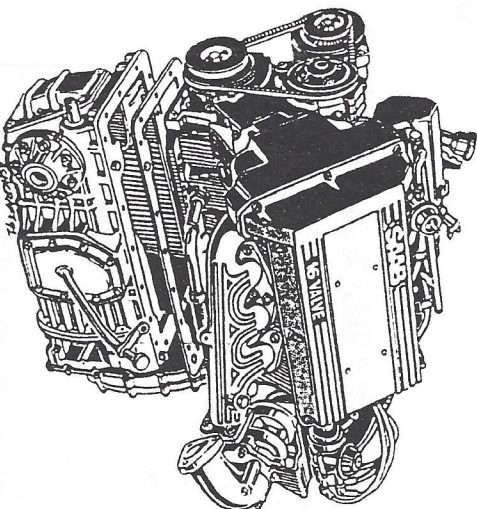
Special Note: The Sonett frame is a built-up 3-dimensional unit. All the parts have a structural function. It is very important that the car be carefully blocked and dimensions taken **before** panels are replaced or the whole frame may bend during the process. If that happens, the doors probably will never fit right again. Have a competent body shop perform panel changes!

Part No	Item	Description
4095	Steel Toe Boards for Sonett II & V4	2 pc set
4096	Steel Toe Boards for Sonett III	2 pc set
4097	Battery Box (all Sonetts)	2 pc set
4098	Trunk Floor (all Sonetts)	7 pc set
4099	Outer Rocker Panel Kit (all Sonetts)	both sides
4245	Inner Rocker Panel Kit (all Sonetts)	both sides
4246*	Main Floor Section, Front	6 pc set
4247*	Main Floor Section, Rear	5 pc set
4248*	Rear Axle Tunnel Assembly (all Sonetts)	3 pc set
4249*	Left Rear Splash Panel (all Sonetts)	3 pc set
4250*	Right Rear Splash Panel (all Sonetts)	3 pc set
4251*	Left Front Splash Panel (all Sonetts)	3 pc set
4252*	Right Front Splash Panel (all Sonetts)	3 pc set

Part No	Item	Description
4253	Left Kick Panel (ahead of door, all Sonetts)	
4254	Right Kick Panel (ahead of door, all Sonetts)	
4255*	Firewall Kit (all Sonetts)	4 pc Kit
4256	Front Frame Bar (Sonett III)	17 pc Kit
4257	Rear End Frame Piece (Sonett III)	
4258	Left Splash Plate Kit (Sonett III)	With #4260 brace & weatherstrip
4259	Right Splash Plate Kit (Sonett III)	
4260	Splash Shield Brace (Sonett III)	
4291	Left Hood Mount Piece (Sonett III) This is the piece that the rear of the hood ass'y bolts to. These are rusted on most Sonetts--check yours! They are held in place with rivets and are easy to change	18 gauge paintable galvanized steel
4292	Right Hood Mount Piece (Sonett III)	
4293	Rear Frame Piece (Sonett II & V4)	2 pc set
4332*	Engine Bay Front Section (Sonett II & V4)	Left side
4333*	Engine Bay Front Section (Sonett II & V4)	Right side
4334*	Front Frame Piece (Sonett II & V4)	(under radiator)

99, 900, 9000 PARTS

ENGINE PARTS

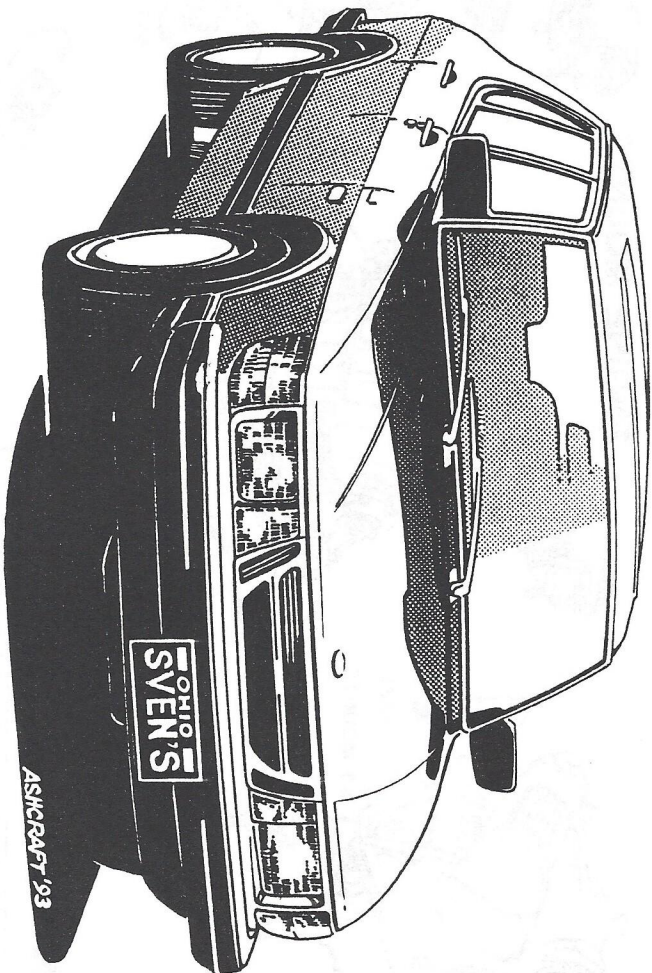


GASKETS

5502	Valve Grind Set	99 (73-78 2.0)
5503	Full Overhaul Set	99 (73-78 2.0)
5503A	Oil Pan Gsk. Met.	99/900 8V
5503B	Oil Pan Gsk. Met.	900/900 16V
5504	Valve Grind Set	99/900 (79-80)
5505	Valve Grind Set	99/900 (81-88) non turbo
5506	Full Overhaul Set	99/900 (81-88) non turbo
5507	Valve Grind Set	99/900 8-valve turbo (1979)
5508	Valve Grind Set	99/900 8-valve turbo (79-80)
5509	Valve Grind Set	99/900 8-valve turbo (81-84)
5510	Full Overhaul Set	99/900 8-valve turbo (81-84)
5511	Valve Grind Set	900/9000 16 valve 2.0 (85-86)
5512	Valve Grind Set	900/9000 16 valve 2.0 (87-93)

5559 ValveGrindSet 99 1.85 '72

Price list---see page 32

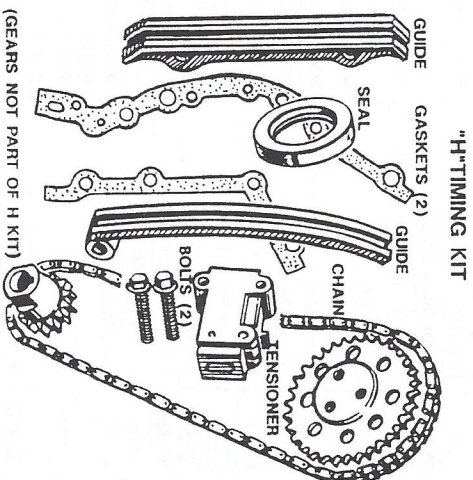


TIMING CHAIN PARTS

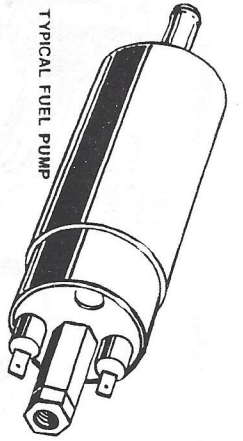
5515	B Kit-	99/900 (1974-80)
	Includes chain, guides, tensioner, upper gasket, lower gasket, front seal	
5516	H Kit	99/900 (1981+ 8-valve)
	Includes chain, guide, tensioner kit (new style), upper & lower gaskets, front seal, tensioner bolts (2)	
5517	Timing Chain	900/9000 16 valve (85-93)
5518	Timing Chain Guide, Left	900/9000 16 valve (85-93)
5519	Timing Chain Guide, Right	900/9000 16 valve (85-93)
5520	Tensioner (new style)	900/9000 16 valve (85-93)
5521	Tensioner Seal	900/9000 16 valve (85-93)

TIMING GEARS

5522	Crank Gear dual teeth	900 8-valve (81-84)
5523	Crank Gear single teeth	900 8-valve (81-84)
5524	Crank Gear	900 8-valve (85-88)
5525	Cam Gear	900 8-valve (85-88)
5526	Crank Gear	900/9000 16 valve (85-93)
5527	Cam Gear	900/9000 16 valve (85-93)



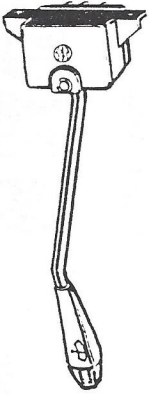
Need 900/9000 Service & Owner's Manuals? SEE PAGE 4.



TYPICAL FUEL PUMP

INJECTION PARTS

5550	Fuel Pump	99 (89-93)
5551	Fuel Pump	99 (75-80) 900 (78-81)
5552	Fuel Pump	900 (82-86)
5553	Fuel Pump	900 8-valve (87-88)
5554	Fuel Pump	900 16 valve (85)
5555	Fuel Pump	900 16 valve (86-89)
5555A	Fuel Pump	900/9000 (91-93)



SWITCHES

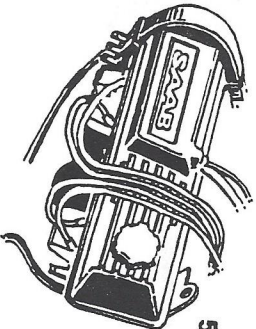
5560	Oil Pressure Switch	99/900 (89-80)
5561	Oil Pressure Switch	900 (81-89) <i>old style</i>
5562	Oil Pressure Switch	900 (81-93) <i>new style</i>
5563	Adaptor to new switch	900 (-85)
5564	Oil Pressure Switch	9000 (86-93)
5565	Turn Signal Switch	900 without cruise
5566	Turn Signal Switch	900 (-89) with cruise
5567	Turn Signal Switch	9000 (86)
5568	Turn Signal Switch	9000 (87)
5569	Turn Signal Switch	9000 (88-89)
5570	Headlight Switch	900/9000 (82-91)
5571	Stop Light Switch	900 (80-88)
5572	Stop Light Switch	900/9000 (89-93)
5573	Water Temp Sender	99/900/9000
5574	W/shield Wiper Switch	99/900 (79-85)
5575	W/shield Wiper Switch	900 (86-90)
5576	W/shield Wiper Switch	900 (91)
5577	W/shield Wiper Switch	9000 (86)
5578	W/shield Wiper Switch	9000 (87)
5579	W/shield Wiper Switch	9000 (88-)
5580	Thermo Fan Switch	82°C 99/900 (77-87)
5580A	Ign. Switch, Electrical	99/900

IGNITION SYSTEM PARTS

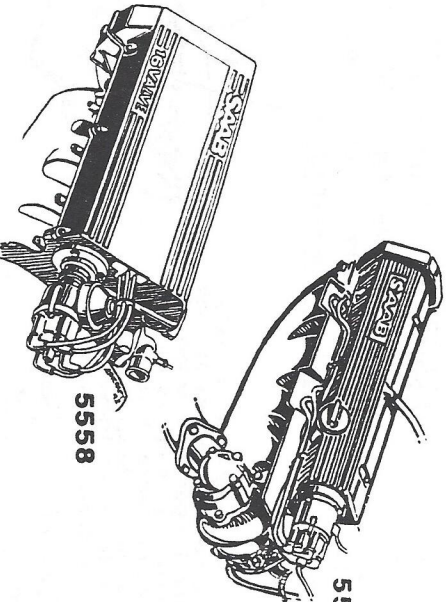
5853	Ignition Control Unit	78-81 99/900
5854	Ignition Control Unit	82-88 900 8 valve
5855	Ignition Control Unit	85-93 16V non-turbo
5856	Ignition Control Unit	85-93 16V turbo
5857	Ignition Control Unit	some 89+ 16V turbos (<i>check # on your unit!</i>)
5858	Ignition Control Unit	86-93 900 turbo
5859	Ignition Control Unit	86-93 9000 turbo
5860	Distributor Cap	Late V4 99,900,9000 w/ Bosch distributor
5861	Impulse Transmitter Kit	99/900 (1978-81)
5862	Impulse Transmitter Kit	900 (82-88)
5865	Distributor, exchange	1981 900 turbo
5866	Distributor, exchange	1981 900 non-turbo
5867	Distributor, exchange	1982-83 900 turbo
5868	Distributor, exchange	1984-85 8V 900 turbo
5869	Distributor, exchange	1986-88 16V 900 turbo, 1986-88 9000 turbo

DRAKEN PREMIUM SPARK PLUG WIRE SETS

5556	Wire Set	99 (76-77)
5557	Wire Set	900 non turbo (78-80) 900 turbo (81)
5558	Wire Set	900/9000 (85-88) all



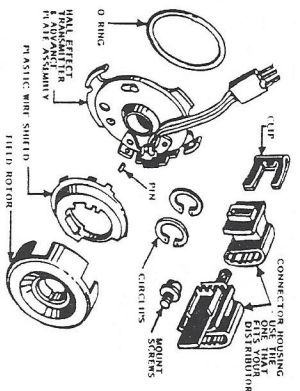
5556



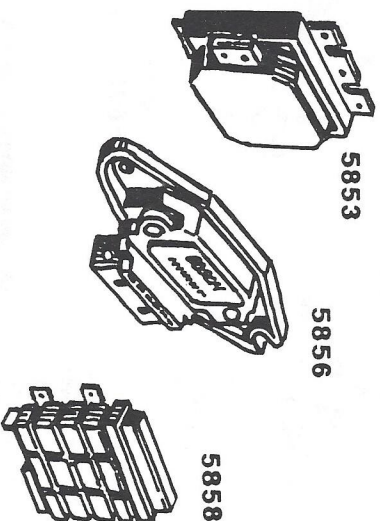
5557

5558

IMPULSE TRANSMITTER KIT



IGNITION CONTROL UNITS

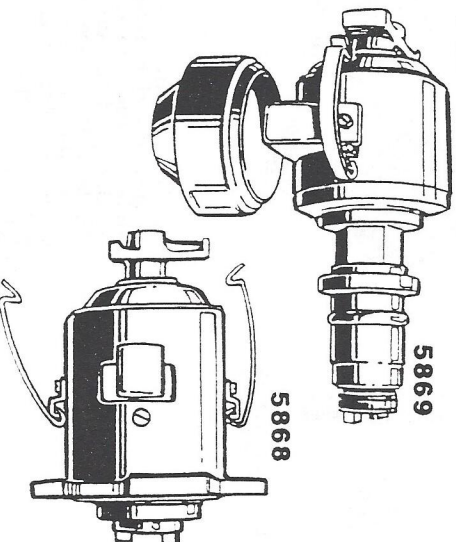


5853

5856

5858

DISTRIBUTORS



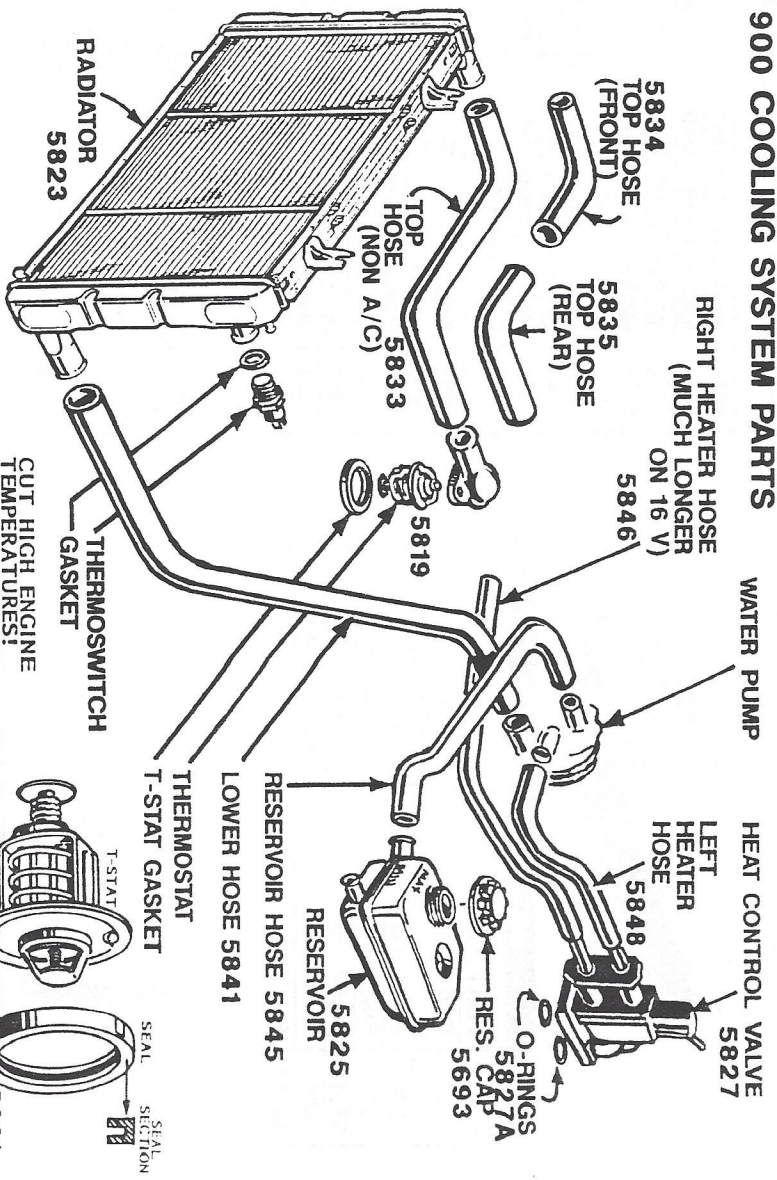
5869

5868

WATER PUMPS

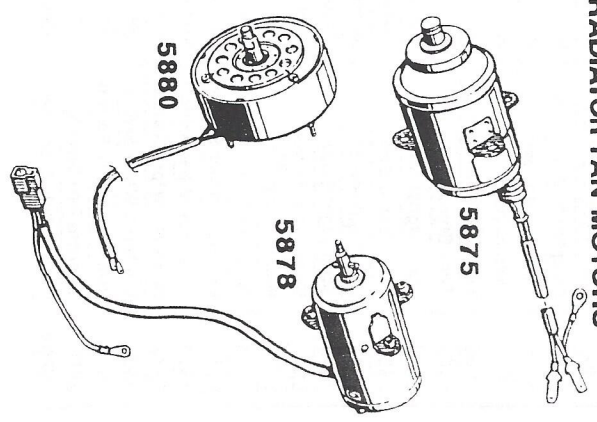
5688	Rebuild Kit	99 2.0 (73-76)
5689	Water Pump Kit	99/900 (77-80)
5690	Water Pump	900 (81-93)
5691	Water Pump	9000 2.0 (86-93)
5692	Water Pump	9000 2.3 (91-)
5693	Expansion Tank Cap	99/900 (81-83) 900 (81-93) 9000 (86-93)

SAAB 900 COOLING SYSTEM PARTS

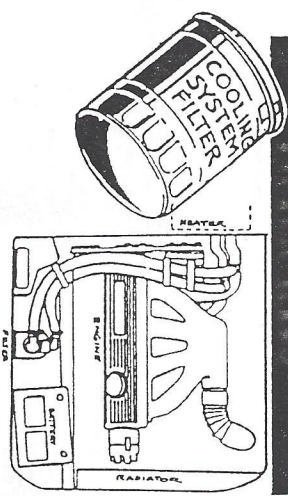


CUT HIGH ENGINE TEMPERATURES!
Replace 87°C fan thermostat with our 82°C switch. **SAVE your engine!** Fits your 99/900/9000 with two-connector switch perfectly. No. 5580

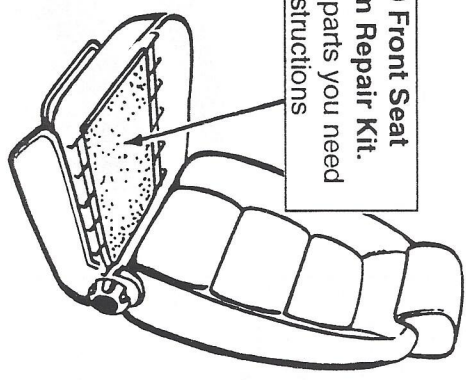
RADIATOR FAN MOTORS



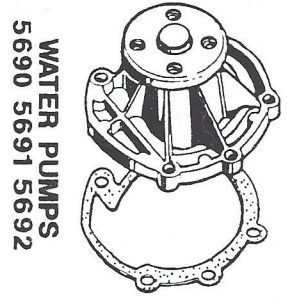
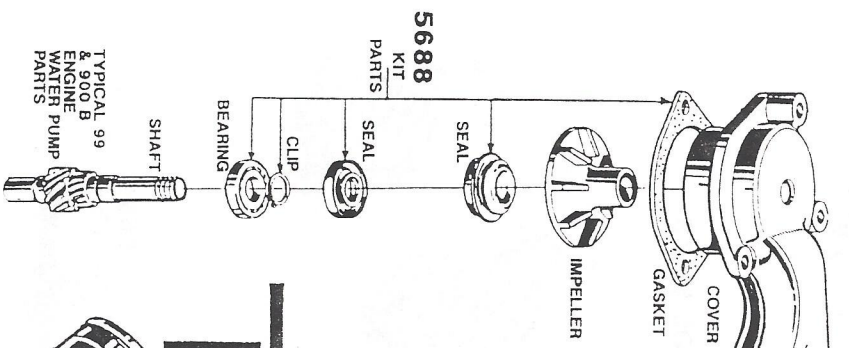
900 COOLING SYSTEM FILTER KITS



5910 99/900 Front Seat Bottom Repair Kit.
All the parts you need plus instructions



NOTE: COVER, IMPELLER & SHAFT NOT INCLUDED IN KIT



The BEST single item you can put on your Saab to extend its mechanical lifespan! Keep the cooling system at peak efficiency and you keep the engine temperature where it was designed to run. These modern Saab engines can go 200,000 miles or more with good maintenance—a good bit farther than the stock cooling system! So keep the cooling system in YOUR Saab up to par with one of these filter systems. Complete, step-by-step, illustrated instructions included

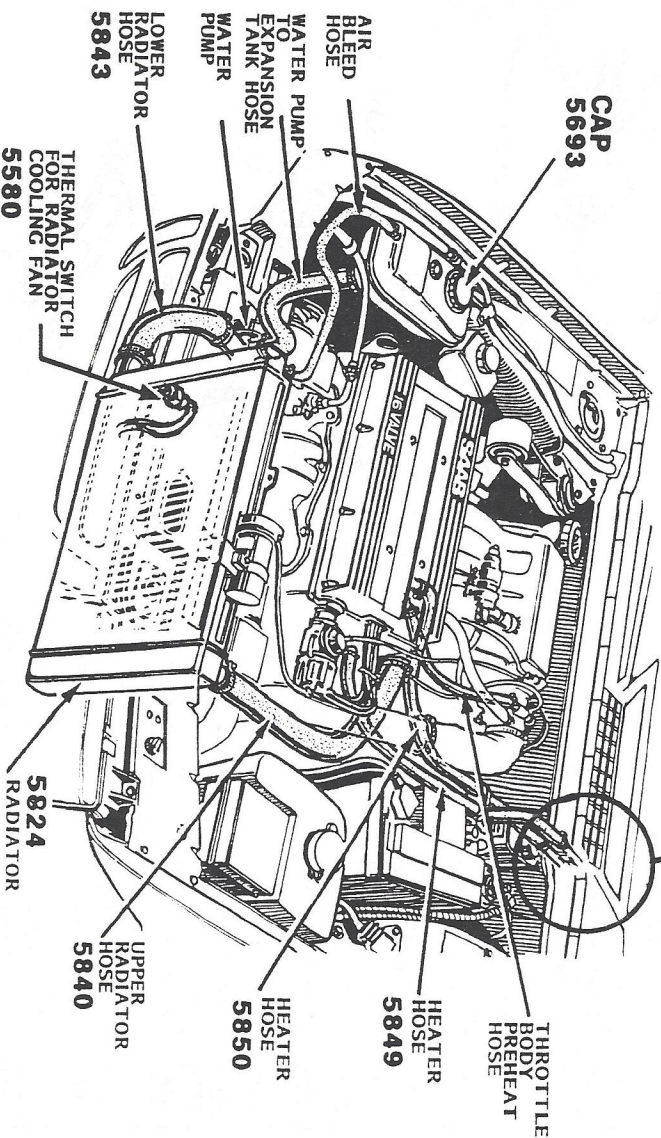
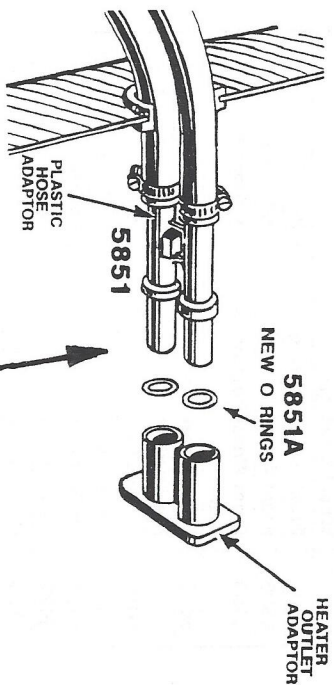
5713	Coolant Filter Kit	900
5714	Replacement Filters	All

COOLING SYSTEM PARTS

5580	Thermostat, 82°C	99/900/9000
5819	Thermostat, 82°C	99 (75-80) 900 8V 1980- 900 16V 1986- 9000 (86-93)
5820	Thermostat, 82° C	9000 (86-93)
5821	Gasket for Thermostat	900.9000
5822	Radiator	99 (-76)
5822A	Radiator	99 (77-78)
5823	Radiator	900 (79-89)
5824	Radiator	9000 (86- 93)
5825	Reservoir	900 (81-93)
5826	Heat Control Valve	99 (74-79)
5827	Heat Control Valve	900 (79-93)
5827A	Heat Valve O-rings	
5828	Top Hose	99 (75-76)
5829	Top Hose	99 (77-80)
5830	Hose, Radiator to Reservoir	99 (75-76)
5831	Hose, Radiator to Reservoir	99 (77-80)
5832	Y Hose, Res to W/Pump	99
5833	Top Hose (no air cond)	900 (81-88)
5834	Top Hose, front (w/ac)	900 (81-83)
5835	Top Hose, front (w/ac) and rear (w/ac)	900 (84- 93)
5836	Top Hose, front	900 16V (1985)
5837	Top Hose, front	900 16V (86-91)
5838	Top Hose, rear	900 16V (1985)
5839	Top Hose, rear	900 16V (1986-91)
5840	Top Hose	9000
5841	Bottom Hose	900 5-sp (81-88)
5842	Bottom Hose	900 16V (85-87) 900 non turbo (88)
5843	Bottom Hose	9000 turbo
5844	Bottom Hose	9000 non turbo
5845	Reservoir Hose	900 8V & 16V
5846	Heater Hose, right	900 (85-93) non turbo
5847	Heater Hose, right	900 turbo (85-93)
5848	Heater Hose, left	900 (85-93)
5849	Heater Hose, upper	9000
5850	Heater Hose, lower	9000
5851	Plastic Hose Adaptor (heater hoses to heater)	9000
5851A	"O" rings for adaptor	9000
5875	Radiator Fan Motor	99/900 (77-80) w/single fan
5876	Radiator Fan Motor	99/900 (77-80 turbo)
5877	Radiator Fan Motor - A/C	99/900 (77-80)
5878	Radiator Fan Motor	900 (81-93 non turbo) single fan 900 (86-91) right side
5879	Radiator Fan Motor	900 -84 turbo, left side
5880	Radiator Fan Motor	900 -84 A/C, left side

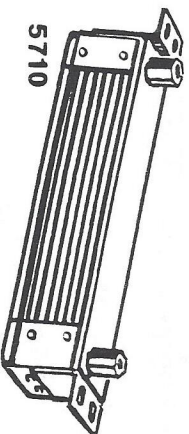
COOLING SYSTEM PARTS

5881	Radiator Fan Motor	900 85-87 turbo, right side
5882	Radiator Fan Motor	900 85-87 A/C, left side
5883	Radiator Fan Motor	900 turbo & non turbo, left & right sides; 88- 93
5884	Radiator Fan Motor	9000 85-93 radiator
5885	Radiator Fan Motor	9000 1986-93 A/C
5886	Radiator Fan Motor	9000 1989- 93 w/2-step fan



OIL COOLERS

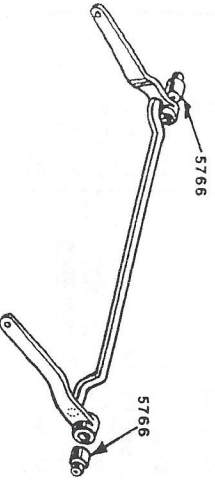
5706	Auto Transmission Cooler	900 (84-mid 87)
5707	Auto Transmission Cooler	900 (mid 87-91)
5708	Auto Transmission Cooler	9000 (86-93)
5709	Engine Oil Cooler	900 (84-85)
5710	Engine Oil Cooler	900 (86-91)
5711	Engine Oil Cooler	9000 (86-90)



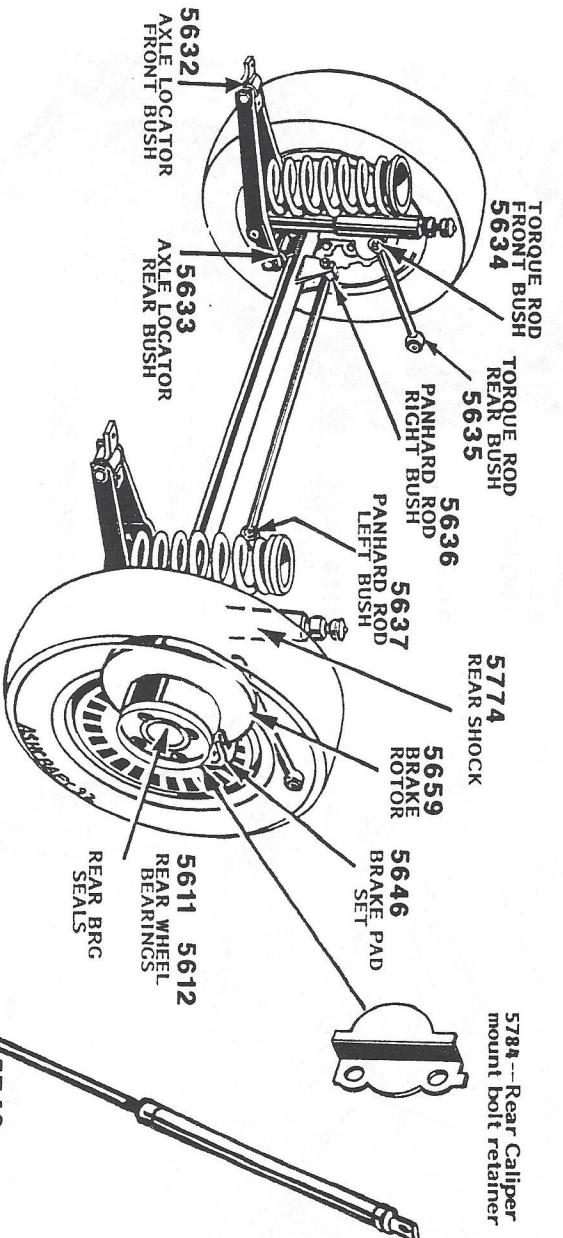
Price list---see page 32

REAR SUSPENSION & BRAKES

Wheel Bearings:	
5611	Rear Wheel Bearing, Inner
5612	Rear Wheel Bearing, outer
5613	Rear Wheel Bearing & hub
5614	Rear Wheel Bearing & hub
5615	Rear Wheel Bearing & hub
5616	Rear Wheel Bearing & hub w/o ABS
5617	Rear Wheel Bearing & hub with ABS
5618	Rear Wheel Bearing & hub (all have ABS)
Suspension:	
5631	Axle Locator Front Bush
5632	Axle Locator Front Bush
5633	Axle Locator Rear Bush
5634	Torque Rod Front Bush
5635	Torque Rod Rear Bush
5636	Panhard Rod Right Bush
5637	Panhard Rod L. Bush
Brakes:	
5644	Rear Brake Pads
5645	Rear Brake Pads
5646	Rear Brake Pads
5647	Rear Brake Pads
5649	Calliper Kit, Rear
5651	Calliper Kit, Rear
5654	Rear Hose, center of car
5655	Rear Hose, behind calliper
5657	Rear Hose
5659	Rear Rotor
5664	Rear Rotor
Rear Anti-Roll Bar Bushes	
5766	End Bushings
5781	Bushing, center, for stock rear anti-roll bar
5782	Bushing, end, for stock rear anti-roll bar
5784	Retainer Plate, for rear brake calliper mount bolts



SAAB 900 REAR SUSPENSION



SHOCK ABSORBERS

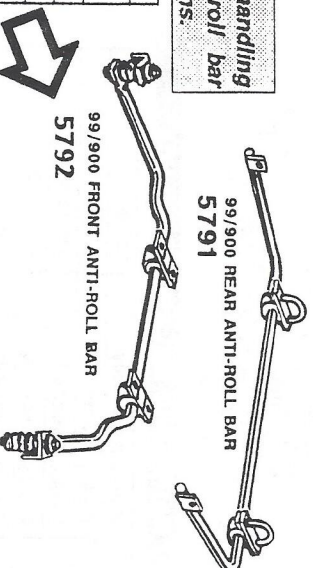
5771	KYB Front Shock	99 (69-80)
5772	KYB Rear Shock	99 (69-78)
5772A	KYB Rear Shock	99 (79-80)
5773	BOGE Front Shock	900 (80-84)
5773A	BOGE Front Shock	900 (80-86)
5773B	KYB Front Shock	900 (79-93)
5774	BOGE Rear Shock	900 (80-84)
5774A	BOGE Rear Shock	900 (80-84)
5774B	KYB Rear Shock	900 (79-93)
5775	Sachs Front Shock	900 (85-88)
5776	BOGE Rear Shock	900 (85-88)
5776A	Sachs Rear Shock	900 (80-93)
5777	BOGE Front Shock	9000 (86-93)
5777A	KYB Front Shock	9000 (86-93)
5778	BOGE Rear Shock	9000 (86-93)
5778A	KYB Rear Shock	9000 (86-93)
5798	Polyurethane Shock Bush	99/900

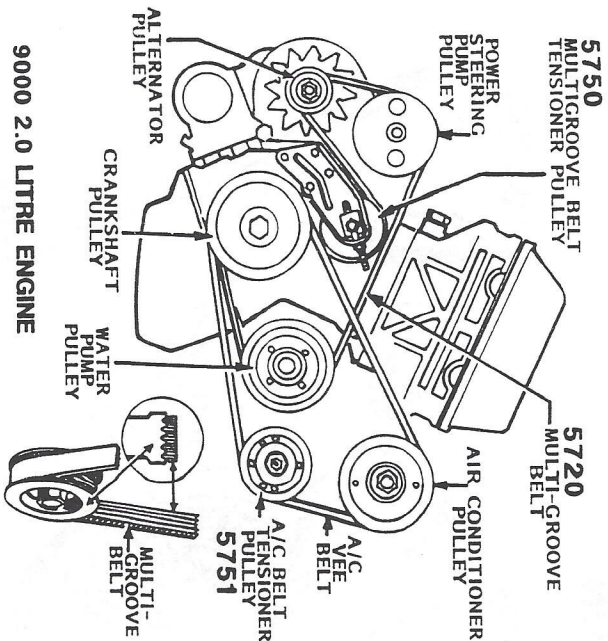
HYDRAULIC STRUTS

5740	Hood Support Hyd. Strut	9000
5741	Hatch Support Hyd. Strut	9000 3-door
5742	Hatch Support Hyd. Strut, 27"	9000 5-door 86-mild 87
5743	Hatch Support Hyd. Strut, 28.5"	9000 5-door, mild 87-

NEW! Now you can improve your 99/900 handling & control with these easy-to-install anti-roll bar kits...all with complete illustrated instructions.

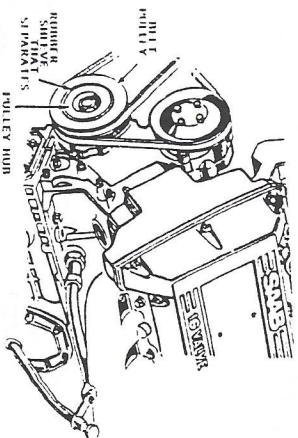
5790	Front Anti-Roll Bar, 7/8"	99 (69-80)
5791	Rear Anti-Roll Bar, 3/4"	99 (69-80) 900 (79-93)
5792	Front Anti-Roll Bar, 7/8"	900 (79-90)
5793	Rear Anti-Roll Bar, 7/8"	900 (84-90)
5794	Replacement Urethane D Bush, 3/4"	see above
5795	Replacement Urethane D Bush, 7/8"	see above
5796	Replacement Urethane End Link Bush	see above





MULTIGROOVE BELTS

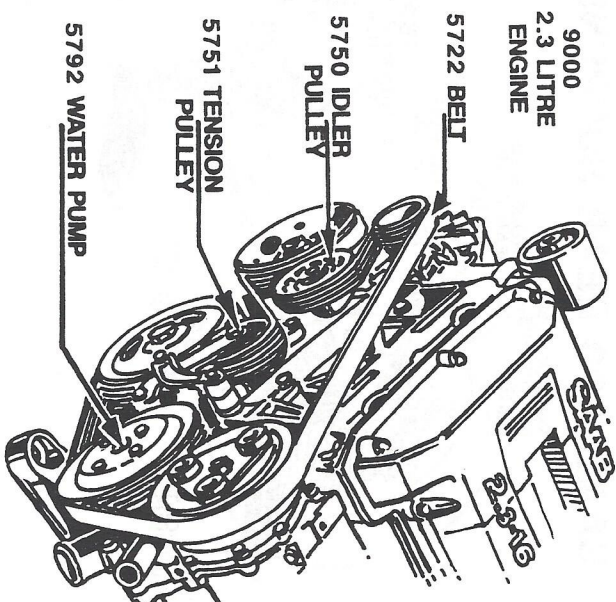
5720	Multi Belt	9000 86-mid 86
5721	Multi Belt	9000 mid 88-91
5722	Multi Belt	9000 2.3
5723	Air Cond. Belt	9000



HARMONIC BALANCER PULLEYS

5694	Pulley Assembly	900 (81-83)
5695	Pulley Assembly	900 (84)
5696	Pulley Assembly	900 (85-89)
5697	Pulley Assembly	900 (90-93)
5698	Pulley Assembly	9000

9000 2.3 LITRE ENGINE



5712 KRICKET TOOL



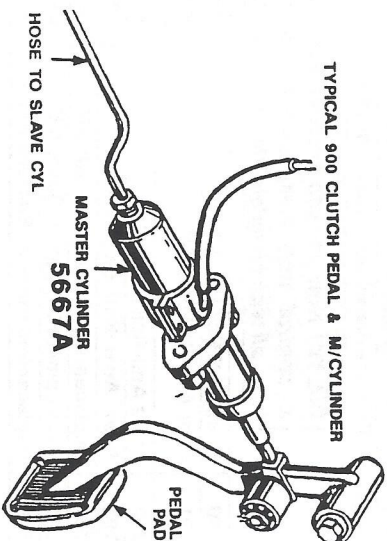
BELT TENSIONER PULLEYS

5749	Tensioner Pulley	900
5750	Tensioner Pulley Multi-Belt	9000 2.0 (86-89)
5751	Tensioner Pulley A/C belt	9000 2.0 (86-89)
5752	Tensioner Pulley Multi-Belt	9000 2.0 spring loaded tensioner (86-89)
5753	Tensioner Pulley Multi-Belt	9000 2.3
5754	Idler Pulley Multi-Belt	9000 2.3
5712	Kricket Tool for setting tension on vee & multi groove belts	900/9000

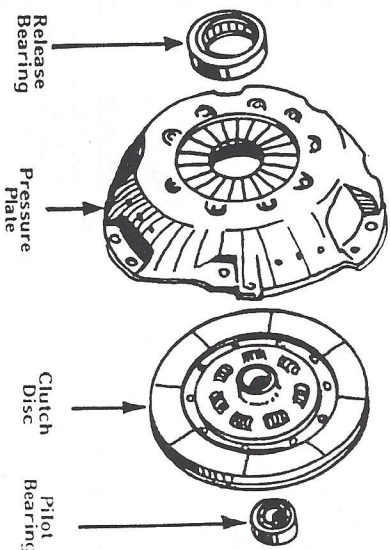
CLUTCH PARTS

5672	Release Bearing	99 (69-75)
5673	Release Bearing	99/900 non turbo (78-86) 99/900 turbo (78-84)
5674	Release Bearing	99/900 turbo (78-84) 900 non turbo 16 V (85-93) 900 turbo 16 V (85-93) 9000 turbo (86-93)
5675	Pilot Bearing	99/900/9000
5676	Clutch Disc	99/900 non turbo (69-98), 4 & 5 speed
5677	Clutch Disc	99/900 turbo 4 spd (78-84)
5678	Clutch Disc	99/900 turbo 5 spd (78-84) 900 turbo (85-89)
5679	Clutch Disc	900 non turbo (85-93)
5680	Clutch Disc	900 turbo (90-93)
5681	Clutch Disc	9000 turbo (86-93)
5682	Clutch Disc	9000 non turbo 2.0 (87-89)
5683	Clutch Disc	9000 non turbo 2.0 (90-93)
5684	Pressure Plate	99 (69-88) non turbo 8 valve 99/900 turbo (78-84) 900 16 V non turbo (85-93) 900 16 V turbo (85-89) 9000 2.0 non turbo (87-93) 900 1.6 valve turbo (90-93)
5685	Pressure Plate	9000 turbo (86-89)
5686	Pressure Plate	9000 turbo (86-89)
5687	Pressure Plate	9000 turbo (90-)

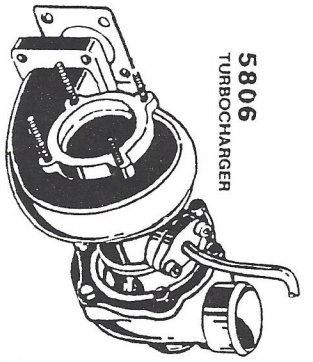
TYPICAL 900 CLUTCH PEDAL & M/CYLINDER



CLUTCH HYDRAULICS



5667	M/Cyl Kit	99 (69-79)
5667A	Master Cylinder	900 (73-93) 9000 (86-93)
5668	Slave Cyl Kit	99 (76-79)
5669	Slave Cyl Kit, old style	900 (79-93)
5670	Slave Cyl Kit, new style	900 (79-93)
5671	Slave Cyl Kit	9000 (86-93)



5806
TURBOCHARGER

**NOTE: THESE ARE PROFESSIONALLY
REMANUFACTURED EXCHANGE UNITS.**

TURBOCHARGERS

5805	Turbocharger	99/900 (79-80)
5806	Turbocharger	900 (81-82 w/o AC)
5807	Turbocharger	900 (82-84 w/APC)
5808	Turbocharger	900 (85-87)
5809	Turbocharger	900 (88)
5810	Turbocharger	900 (89-90)
5811	Turbocharger	900 (91)
5812	Turbocharger	9000 (86)
5813	Turbocharger	9000 (87-89)
5814	Turbocharger	9000 (90)

AUTO TRANS GASKETS, Seals & Filters

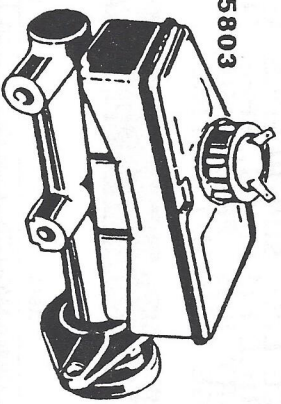
5725	Auto Trans Filter Screen	900
5726	Auto Trans Filter Screen	9000
5727	Auto Trans Gasket & Seal Kit	9000

CABLES

5595	Brake Cable	900 (-87)
5596	Brake Cable, left	900 (88-+)
5597	Brake Cable, right	900 (88-+)
5598	Brake Cable, left	9000 (86)
5599	Brake Cable, right	9000 (86)
5600	Brake Cable, left	9000 (87+)
5601	Brake Cable, right	9000 (87+)
5602	Speedo Cable	900 (88)
5603	Speedo Cable	900 (89-+)
5604	Throttle Cable	900 (79-83) manual Trans
5605	Throttle Cable	900 (79-83) automatic
5606	Hood Release Cable	900 (81-91)

BRAKE MASTER CYLINDERS

5802	Master Brake Cylinder	99 (75-80) 900 (79-86)
5803	Master Brake Cylinder	900 (87-89)
5804	Master Brake Cylinder	9000 (86+ w/o ABS)



5803

THE SAAB JOURNAL
TECHNICAL MAGAZINE

WRITTEN BY SAAB PROS

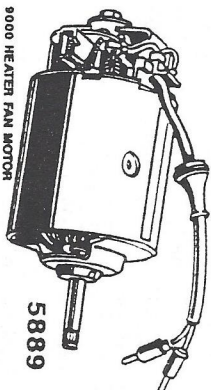
HIGHLY ILLUSTRATED HOW-TO ARTICLES SIX ISSUES/YR 44 PAGES ON YOUR SAAB \$44/YR USA, \$52/YR CANADA, \$65/YR OSEAS VISA/MC

SUBSCRIBE NOW!

4305 DARK HOLLOW ROAD, MEDFORD, OR 97501
503-779-0731

RELAYS

5581	Fuel Pump Relay	99 (69-79) non turbo
5582	Fuel Pump Relay	99 (78-80) turbo 900 (79-85) non turbo 900 turbo K Jet
5583	Fuel Pump Relay	900 LH Jet
5584	Fuel Pump Relay	900 (86+) 8 valve
5585	Fuel Pump Relay	9000 (86-93)
5586	Wiper Relay	900/9000 (79-93)
5587	Headlight Relay	900 (79-87)
5588	Headlight Relay	900 (88-90) 9000 (88-+)
5589	Headlight Relay	9000 (86-87)
5590	Horn Relay	all models
5591	Sunroof Relay	9000



9000 HEATER FAN MOTOR

5889

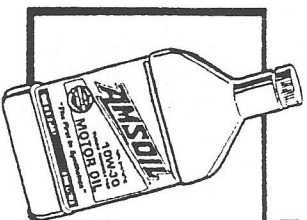
HEATER FAN MOTORS

5888	Heater Fan Motor	900 (79-93)
5889	Heater Fan Motor	9000 (86-+)

POWER WINDOW MOTORS

5592	Left Power Window Motor	900
5593	Right Power Window Motor	900

5744--AMSOIL Automatic Trans-mission Fluid. Simply the best there is! \$8.00 Qt



IS YOUR SAAB A TURBO? AMSOIL SYNTHETIC ENGINE OIL IS THE FINEST ENGINE OIL YOU CAN USE IN YOUR SAAB. THIS STUFF DOES A SUPERB JOB OF KEEPING YOUR TURBO IN ONE PIECE. IT ALLOWS THE ENGINE TO RUN COOLER AND REV EASIER. IF YOU WANT THE VERY BEST OIL, THIS IS IT!

4267--AMSOIL SAE 10/30... \$6.00/QT



Streamline Sports Car
Fog & Driving
Lamp Kits

All kits contain 2 halogen lamps, 2 halogen H3 12V55W bulbs, prewired & color coded wire harness with 12 volt fused relay, illuminated rocker switch and 2 stone shields.

5900	Driving Lamp Kit
5901	Fog Lamp Kit - white
5902	Fog Lamp Kit - Amber
5903	Stone Shield Replacement Covers



DRAKENPARTS™

CURRENT PRICE LIST

THIS PRICE LIST SUPERCEDES ALL OTHER PRICE LISTINGS, EFFECTIVE 1 FEBRUARY 1995. PRICES SUBJECT TO CHANGE WITHOUT NOTICE.



Be sure to include the core charge(s) on your order. Speedy return of your rebuildable core will insure your core credit.

Part No.	Item	Core	\$ Price
4000	Talbot Mirror		59.00
4001	1500 OD Head	100	549.00
4001A	1500 OD Big Valve Head	100	689.00
4002	1500 CD Head	100	549.00
4002A	1500 CD Big Valve Head	100	689.00
4003	1700 Head	100	549.00
4003A	1700 Big Valve Head	100	689.00
4004B	Valve Cover Gaskets (pair)		10.00
4004C	Anti Leak Kit		39.00
4005	Rocker Arm Assy	50	460.00
4005A	Needle Bear Rocker Arm	50	475.00
4006	F4 Cam	50	109.00
4007	F66 Cam	50	109.00
4008	V4 Tappet Set (8)		128.00
4009	L1 Flywheel Kit w/bolts	50	129.00
4009A	L1 Flywheel	50	109.00
4009B	Flywheel bolts		24.00
4010	Intake Manifold, 2bbl	50	315.00
4010A	2bbl Manifold Installation Kit		83.00
4011	Ball Skt Link, Front		29.00
4011A	Ball Skt Link, Rear		39.00
4011B	Ball Skt Throttle Link Kit		67.00
4011C	-1 Ball Skt Kit 95/96		72.00
4011D	Racing Link w/Heim Jt, F		39.00
4011E	Racing Link w/Heim Jt, R		52.00
4011F	Racing Link Kit, 95/96		89.00
4012	Distributor w/cap & wire	50	94.00
4012A	Distributor w/o cap	50	334.00
4013	Distributor Cap & Wire set		259.00
4013A	Spark Plug wire set		79.00
4014	Heat Control Valve Kit, 97		64.00
4014A	Heat Control Kit, early 97		95.00
4015	Heat Control Val Kit, 95/96		115.00
			89.00

Part No.	Item	Core	\$ Price
4016	Clutch M/Cly Chgeover Kit	50	149.00
4016A	M/cly Hyd Kit (for 4016)		16.00
4017	Mag Wheel Mt Studs (2)		16.00
4018	Headlight Mt Rubber (pr)		29.00
4019	H/light M/switch		34.00
4019A	H/light M/switch		51.00
4020	Stoplight Switch Kit, S-III		47.00
4020A	Stoplight Switch Kit, S-III/V4		52.00
4021	W/S Kit, doors, S-III/V4		82.00
4022	W/S Kit, Doors/Vent, S-III		105.00
4023	W/S Kit, Doors 95/96		79.00
4024	W/S Kit, 96 Side Rt Window		49.00
4025	W/S Kit, Luggage Dr		39.00
4026	W/S Kit, Glass Hatch		49.00
4027	Harness Set (2 seats) Blk		89.00
4027A	Harness Set, gray		89.00
4027B	Harness Set, red		89.00
4027C	Harness Set, tan		89.00
4028	Window Channel, rear, 97		16.00
4029	Window Channel, front, 97		23.00
4030	Latch Cover		69.00
4031	Hatch Bultion Kit		29.00
4032	Bumper Grommel		24.00
4033	Door Glass Seal Kit		47.00
4034	W/S Kit, Frame to body, 97		59.00
4035	W/S Kit Hood Opening		39.00
4036	W/S Kit Hood Opening		49.00
4037	W/S Kit, 95/96 Bk of hood		16.00
4038	W/S Kit, 96 Trunk opening		49.00
4039	Transaxle Neuler Kit		49.00
4040	Shift control Kit, S-III		29.00
4041	License Mount Kit		11.00
4042	Clutch Release Arm Assy	50	79.00
4043	W/S Kit, Hir Air Intake		10.00

Part No.	Item	Core	\$ Price
4044	Coolant Filter Kit 95/96		119.00
4044A	Coolant Filter, replacement		22.00
4045	Coolant Filter Kit, S V4		129.00
4046	Coolant Filter Kit, S-III		129.00
4047	Transaxle Noise Reductr Kit		12.00
4049	Dipstick	15	29.00
4050	95 Floor Panel under fuel tank		109.00
4050A	96 Rear FW Floor Panel		109.00
4051	95 Rear FW Floor Panel		89.00
4051A	96 Rear Floor Panel		89.00
4052	Book, Saab Electrics		40.00
4053	Book, Starter & Alternator		25.00
4054	Book, Sonett Health Conv		15.00
4055	Book, The Fast V4, Ed. 3		15.00
4056	Book, Drakenscale		25.00
4059	Tool, Razor knife		12.00
4060	Book, V4 Drivetrain Manual		TBA
4061	Book, Sonett Svc Manual		20.00
4062	Book, Sonett Owners Man		12.00
4063	Book, SJ Techline 1		36.00
4064	Book, SJ Tech How-To		32.00
4065	Rebuilding Sonett Doors Bk		20.00
4066	Installing Weber 341CH Bk		10.00
4067	Book, Saab 900 Electrics		TBA
4069	Full Bulkhead Kit		299.00
4070	Headliner Kit, S-III		189.00
4071	Lug Area Floor Carpet		89.00
4072	Lug Area Side Kit		309.00
4073	Carpet Set, 1 pc, S-III		319.00
4074	Door Panels, early S-III		199.00
4074A	Door Panels, late S-III		199.00
4075	Seat Insert Kit		339.00
4076	95/96 H/B Seat Upholstery (2)		209.00
4077	95 Center Seat Upholstery Set		119.00

Part No.	Item	Core	\$ Price
4078	95 Rt Facing Seat Upholstery		89.00
4079	95/96 Door Panel Upholstery	2 dr	160.00
4079A	95 Hatch Door Panel		95.00
4080	Headliner Kit, S-II, gray		289.00
4081	Full Bulkhead Kit, S-II, blk		269.00
4082	Carpet, Luggage Floor blk		89.00
4083	Cabin carpet set, S-II, black		299.00
4084	Door Panels S-II vinyl		239.00
4085	Lugg area sides S-II blk		209.00
4086	Lugg Door Carpet, black		47.00
4087	Seat Insert Kit, w/o pad		299.00
4087A	Seat Insert Kit		339.00
4088	Lugg Door Strap, S-II, black		15.00
4088A	Emerg Brake Cover, black		19.00
4088B	Emerg Brake Cover, gray		19.00
4088C	Emerg Brake Cover, tan		19.00
4089	Sail Panel Emblems 96		35.00
4090	Dash Top Cover, 95/96		46.00
4091	Hat Shelf Cover, 96		46.00
4092	Cabin carpet, 95/96 early		199.00
4092A	Cab carpet, 95/96 early gray		199.00
4092B	Cab carpet, 95/96 late black		209.00
4092C	Cab carpet, 95/96 late gray		209.00
4093	Lugg compart carpet, blk		89.00
4093A	Lugg compart carpet, gray		89.00
4093C	95 Cargo Area Carpet Set, blk		229.00
4093D	95 Cargo Area Carpet Set, gray		229.00
4094	Screw, uph chr 8X5/8 (doz)		3.00
4094A	Screw, uph chr 8X3/4 (doz)		3.00
4094B	Screw, uph chr 8x1" (doz)		3.00
4094C	Screw, uph chr 8X3/4 (doz)		3.00
4094D	Screw, door trim (doz)		3.00
4095	Shel Toe Boards, S-II/V4		99.00
4096	Steel Toe boards, S-III		109.00
4097	Battery Box, 97		79.00
4098	Trunk floor kit (7 pc) 97		179.00
4099	Rocker Panel Set, outer 97		209.00
4100	Rocker Panel Set, 95/96		229.00
4102	Frame Stiffener, pr		95.00
4103	Windshield Moulding 97		79.00
4106	Rear Window Moulding		89.00
4107	Chrome LK Strip, windshield		48.00
4108	Chrome LK Strip, R, window		56.00
4109	Speedo Cable, Sonett V4		52.00
4110	Speedo Cable, V4 95/96 →69		42.00
4111	Speedo Cable, V4 95/96 70→		42.00
4112	Speedo Cable, Sonett III		42.00
4113	Pedal Pads, clutch & brake		9.00ea

NEW! 4101--Htr. FanMotorAssy,Sonett3 \$169.00

Part No.	Item	Core	\$ Price
4114	Day/Nite Mirror Head		39.00
4115	Fuel FillerGrommet		23.00
4116	Grommet exhaust pipe		23.00
4117	Grommet fuel filter 95,96		23.00
4118	Hood Latch Assy, S-II/V4		29.00
4119	Lugg door handle assy		44.00
4120	Key blank, ignition S-II/V4		5.00
4121	Key blank, door S-II/V4		5.00
4122	Key blank, ignition S-III		5.00
4123	Key blank, door S-II		5.00
4124	Key blank, ignition/door		5.00
4125	Key blank, ignition/door		5.00
4126	Key blank, gas cap		6.00
4127	Locking gas cap		24.00
4128	Locking gas cap, S-III		29.00
4129	F Brake Caliper Rebuild Kit		31.00
4129A	Left front brake caliper		159.00
4129B	Right front brake caliper		159.00
4130	Flex hose front brake		37.00
4131	Brake pad set, sid		54.00
4131A	Rally Brake Pad Set		69.00
4132	Rear Brake Cyl	15	44.00
4132A	Boot, R, axle em. Brk. lever		7.00
4133	Flex brake hose, rear		44.00
4134	Oil drain plug & washer set		9.00
4134A	Magnetic Oil drain Plug		14.00
4135	Fuel filter, V4 HD		9.00
4136	Oil filter, V4 Hi capacity		9.00
4137	W/Wiper Motor, Sonett V4	25	249.00
4138	W/Wiper Motor, Sonett III	25	249.00
4139	Oil pressure sender unit		21.00
4140	V4 Timing gear set		439.00
4141	Bal Shaft Bearing Kit		179.00
4141A	Bal Shaft bearing set		65.00
4141B	Block Plug, Bal shaft		15.00
4141C	Bal shaft gear, nylon		104.00
4141D	Bal shaft bearings only		58.00
4142	Crankshaft bearing kit		122.00
4142A	Crankshaft main bearing set		80.00
4142B	Crankshaft rod bearing set		46.00
4142C	Plasligage strip		2.00
4143	Rod Bolt & Nut set, Chrome		72.00
4143A	Rod bolt & Nut set, Ford V8		55.00
4145	Fuel pump kit 95/96		199.00
4146	Fuel pump kit w/bracket, 97		219.00
4147	Camshaft bearing kit		41.00
4147A	Camshaft block plug		8.00
4147B	Camshaft bearing set only		35.00
4148	Fanshaft bearing		59.00
4149	Pilot bushing		18.00

Part No.	Item	Core	\$ Price
4150	Full O'hhaul Gskt set, late V4		199.00
4151	Gskt set, valve grind late V4		89.00
4152	Conversion Gskt Set all V4		119.00
4153	Gasket set, intake manifold		45.00
4153A	Intake manifold gasket		39.00
4153B	Round Thermostat gasket		4.00
4153C	Flat Thermostat gasket		5.00
4154	Timing cover gskts w/seal		34.00
4154A	Timing cover seal		17.00
4154B	Timing cover front gasket		9.00
4154C	Timing cover rear gasket		9.00
4155	Oil pan gasket set		39.00
4155A	Flat oil pan gasket		18.00
4155B	Rear main gasket		12.00
4155C	Pan wedge seals (pr)		10.00
4156	Gskt set, oil pump/dr shaft		139.00
4156A	Oil pump, HD		114.00
4156B	Oil pump drive shaft, HD		21.00
4156C	Gasket, oil pump to block		4.00
4156D	Gasket, oil pump to pickup		4.00
4157	Exhaust flange gaskets (2)		12.00
4158	Thermostat, 180 w/gskt set		18.00
4158A	Thermostat, 160 w/gskt set		38.00
4159	Water pump & gasket set		69.00
4161	Carb base gskts, steel (2)		10.00
4162	Seal, rear main bearing		26.00
4163	Temp gauge sender unit		29.00
4164	Oil filter, sid V4		7.00
4165	Oil filler cap, HD		21.00
4165A	Oil filler cap,		11.00
4165B	Seal ring for cap		3.00
4166	95 Spare Tire Cover		59.00
4167	PCV valve		14.00
4168	Question mark PCV hose		22.00
4169	Fuel pump, V4 mechanical		79.00
4170	Engine mount, front		39.00
4170A	F. engine mount low profile		37.00
4171	Transaxle rear mount		59.00
4172	Rear axle limit strap		19.00
4173	Rear brake shoe set	50	47.00
4174	Block off plate/fuel pump		13.00
4175	V4 ignition coil		45.00
4176	Tool, R, brake adjust socket		8.00
4177	Rheostat, panel lights		39.00
4178	Battery Pads, 1 pair		8.00pr
4179	Weber 341CH carb kit		376.00
4180	Weber 341CH carburetor		299.00
4181	Choke control assy		17.00
4182	Weber Rebuild Kit/341CH		59.00

Part No	Item	Core	\$ Price
4183	Shock absorber, front		45.00
4184	Shock absorber, rear 96/97		49.00
4185	Carb rebuild kit FOMoCo		33.00
4186	Carb rebuild kit, Solex		42.00
4187	Air filter, all Sonett V4		19.00
4188	Air filter, early 95/96		16.00
4189	Air filter, late 95/96		17.00

4194	Muffler, rear, S-III		51.00
4195	95 Rear FW Carpet Kit, blk		45.00
4195A	95 Rear FW Carpet Kit, gray		45.00
4196	Exhaust pipe mount, ea		10.00
4200	Muffler, rear, 95/96		49.00

4203	Radiator Mount straps, ea		7.00
4204	Radiator cap, flat 95/96		10.00
4205	Top radiator hose 95/96		13.00
4206	Bottom rad hose 95/96		12.00
4207	Top radiator hose 95/96		13.00
4208	Bottom rad hose 95/96		24.00
4209	Top radiator hose V4 97		15.00
4210	Bottom radiator hose V4 97		14.00
4211	Hose, pipe/w pump		4.00
4212	Hose, pipe, rear of engine		3.00
4213	Hose kit, fuel filler S-III/V4		29.00
4214	Fuel Filler Hose Kit, S III		59.00
4215	Transaxle input shaft seal		13.00
4216	Drive Axle Seal (ea)		18.00
4217	Clutch return spring, all 97		9.00
4218	Axle boot, outer 95/96/97		32.00
4219	Axle boot, inner		32.00
4220	Front wheel bearing		109.00
4221	Inner seal, fr wheel bearing		18.00
4222	Outer seal, fr wheel bearing		18.00
4223	Locking Key		2.00
4224	Rear wheel bearing, outer		31.00
4225	Rear wheel bearing, inner		37.00
4226	R. wheel bearing, inner, 95		40.00
4227	Seal, rear wheel bearing,		17.00
4228	Rear wheel lock key		2.00
4229	Clutch, V4		120.00
4230	Pressure Plate, V4		149.00
4231	Emerg Brake Cable Assy 95/96		59.00
4231A	Emerg Brake Cable Assy, S III		69.00

Part No.	Item	Core	\$ Price
4232	Wrench, R. Brake Adjust		16.00
4233	Release bearing		42.00
4234	Tool, clutch disc alignment		8.00
4235	Clutch slave cyl rebuild kit		27.00
4236	Clutch slave cylinder	25	149.00
4237	Pistons, 1500 (set of 4)		295.00
4237A	Piston rings for #4237		115.00
4238	Piston rings, early 1500		115.00
4239	Piston rings, late 1500		115.00
4240	Pistons, 1700 (set of 4)		295.00
4241	Piston rings for 1700		115.00
4242	Pistons & ring set Kit		405.00
4244	Clutch M/cyl rebuild kit		21.00
4245	Rocker Panel Set, inner 97		109.00
4246	Sonett Main Floor Sec, Front		429.00
4246A	95/96 Main Floor Sec, Front		449.00
4247	Sonett Main Floor Sec, Rear		429.00
4247A	95/96 Main Floor Sec, Rear		449.00
4248	Sonett Rear Axle Tunnel Assy		395.00
4249	L. R. Splash Panel, all Sonetts		179.00
4250	R. R. Splash Panel, all Sonetts		179.00
4251	L. F. Splash Panel, all Sonetts		199.00
4252	R. F. Splash Panel, all Sonetts		199.00
4253	Left Kick Panel, all Sonetts		69.00
4254	Right Kick Panel, all Sonetts		69.00
4255	Firewall Kit, all Sonetts		529.00
4256	Front frame bar kit, S-III		29.00
4257	Rear end frame piece, S-III		70.00
4258	L front wheel splash plate		59.00
4259	R front wheel splash plate		59.00
4260	Splash shield brace, S-III		10.00
4261	95 Rear shock change kit		199.00
4262	95 Seat Upholstery Protector		15.00
4263	Clip, release bearing, top		4.00
4264	Bottom release bearing clip		4.00
4265	AMSOIL translube 75/90 Ct		8.00
4265A	AMSOIL 75/90 Gal		28.00
4265B	AMSOIL translupe 80/90 Ct		8.00
4265C	AMSOIL 80/90 Gal		28.00
4266	AMSOIL engine oil 20/50 Ct		6.00
4267	AMSOIL engine oil 10/30 QT		6.00
4269	Transaxle oil dipstick		19.00
4270	Hard exhaust valve		39.00
4271	Hard exhaust seat		15.00
4272	Spilt valve locks, 3 rib		3.00
4273	Spilt valve locks, 1 rib		3.00
4274	Intake valve		32.00
4275	Valve spring set		59.00
4276	Valve spring shim, ea		1.00
4277	Valve stem seal (set of 8)		22.00

Part No.	Item	Core	\$ Price
4278	Valve guides (ea)		3.50
4279	Cyl head expansion plug ea		2.00
4280	Exhaust manifold stud		6.00
4281	Exhaust manifold nut		2.00
4282	Exhaust header adaptor, pr	25	39.00
4283	Front brake rotor		80.00
4284	Ball joint		59.00
4285	Tie rod end		39.00
4286	Upper A frame bush		15.00
4287	Lower A frame bush		21.00
4288	Sonett mag wheel cap		12.00
4289	Center rear axle bush		51.00
4290	W/S Kit, Sonett F wh splash panel		29.00
4291	Left Hood Mount Piece, S III		59.00
4292	Right Hood Mount Piece, S III		59.00
4293	Rear Frame Piece, S II & V4		94.00
4294	Rear brake spring kit		42.00
4295	Steering boot		42.00
4297	Rivet Kit for Sonett doors		6.00
4298	Hood Expansion plug kit		11.00
4299	Trailing arm bushing		23.00

Bentley Manuals

4300	Bentley Manual 900 8-valve		48.00
4301	Bentley Manual 900 16-val		48.00

900 Factory Manuals:

Part No.	Section	Subject	\$ Price
4302	0	Tech Data	19.00
4302A	0	Tech Data	23.00
4303	2	"B" Engine	23.00
4303A	2:1	"H" Basic Engine	26.00
4303B	2:3	Fuel System	42.00
4303C	2:4	Exhaust, Turbo, Cooling	29.00
4304	3:1	Elect Sys / Instruments	29.00
4304A	3:1	Elect Sys / Instruments	29.00
4304B	3:2	Elect Sys Diagrams	29.00
4304C	3:2	Elect Sys Diagrams	23.00
4304D	3:2	Elect Sys Diagrams	29.00
4304E	3:2	Elect Fault Trace, Diagrams, Operation	29.00
4305	3:4	Wiring Diagrams	27.00
4305A	3:4	Wiring Diagrams	26.00
4305B	3:4	Wiring Diagrams	29.00
4305C	3:4	Wiring Diagrams	37.00
4306	4:1	Manual Transmission	26.00
4306A	4:1	Manual Transmission	26.00
4307	5	Brakes	23.00
4307A	5:2	Brakes, ABS	31.00

900 Factory Manuals:

Part No.	Section	Subject	\$ Price
4308	6	Front Susp./ Steering	29.00
4309	7	Suspension	24.00
4310	8	Body	31.00
4310A	8:1	Body Repairs	31.00
4310B	8:2	Interior	31.00
4310C	8:3	Heating	34.00
4311	8:5	Convertible	31.00
4311A	8:6	Air Bag	34.00

9000 Factory Manuals:

Part No.	Section	Subject	\$ Price
4302B	0	Tech Data	29.00
4312	2:1	Basic Engine (B234)	31.00
4312A	2:1	Basic Engine (B234)	31.00
4312B	2:3	LH F.I. System	31.00
4312C	2:4	Exh. Turbo, Cool Sys	39.00
4312D	2:5	Traction Control Trng	49.00
4312E	2:5	Traction Control	44.00
4312F	2:6	DI/APC	44.00
4312G	2:7	Trionic Mgmt Sys	41.00
4313	3:1	Elect Sys. Instruments	24.00
4313A	3:1	Elect Sys. Instruments	31.00
4313B	3:1	Trip Computer	24.00
4313C	3:2	Elect Sys. Diagrams	31.00
4313D	3:2	Elect Sys. Diagrams	39.00
4313E	3:2	Elect Sys. Diagrams	31.00
4313F	3:2	Elect Sys. Diagrams	39.00
4313G	3:2	Elect Sys/Fault Tracing	39.00
4313H	3:2	Elect Sys. Diagrams	70.00
4314	3:4	Wiring Diagrams	24.00
4314A	3:4	Wiring Diagrams	31.00
4314B	3:4	Wiring Diagrams	34.00
4314C	3:4	Wiring Diagrams	39.00
4315	4:0	Transmission	19.00
4315A	4:1	Manual Transmission	31.00
4315B	4:2	Automatic Transmission	16.00
4316	5:1	Brakes	31.00
4316A	5:2	Anti Lock Brakes	31.00
4316B	5:2	Anti Lock Brakes Mk II	31.00
4317	6	Front Assy & Steering	34.00
4318	7	Suspension	34.00
4319	8	Body, 4 door	39.00
4319A	8:1	Body	39.00
4319B	8:2	Interior	26.00
4319C	8:3	Heating, Ventilation, AC	31.00
4319D	8:3	Auto Climate Control	34.00
4319E	8:5	Air Bag	31.00
4319F	8:6	Air Bag	19.00
4319G	9	Accessories	24.00

4320	Fuse Box, Sonett eng bay	29.00
4321	Female Lock in Term (ea)	1.00
4322	Male lock in Terminal (ea)	1.00

Part No.

Part No.	Item	Core \$ Price
4323	Voltage Regulator	54.00
4324	Super Ground Cable	11.00
4325	95 Side Upholst Panel pos (2)	40.00
4326	95 Side Upholst Panel pos (2)	40.00
4327	95 Rear Header Upholstery	50.00
4330	Front Park Lamp Assy, S III	89.00
4331	Clear lens for 4330	29.00
4331A	Amber bulb for 4330	2.00
4332	Engine Bay Front Section, Left	149.00
4333	Engine Bay Front Section, Rt	179.00
4334	Front Frame Piece, S I/IV4	89.00
4340	W/shield chrome lock strip	39.00
4341	Rear window chr lock strip	45.00
4342	Finish plates for chr inserts	4.00
4343	Chrome insert tool	29.00
4344	Fender welt, 95/96 front	15.00
4345	Fender welt, 96 rear	18.00
4346	Fender welt, 95 rear	20.00
4347	Hood release wire 95/96	19.00
4348	Fan belt 95/96 early	17.00
4349	Fan belt 95/96 late	17.00
4350	Electric fan kit, Sonett V4	315.00
4351	Electric fan kit, S-III	315.00
4352	Decel valve diaphragm	17.00
4353	Retaining Keys (set of 4)	4.00
4354	Weber 32/36 DGV carb kit	489.00
4355	32/36 DGV Carb only	395.00
4356	Air filter assy for 32/36 DGV	46.00
4357	Rebuild kit for 32/36 DGV	49.00
4360	Bush Kit, shifter	18.00
4361	Magnetic Drain Plug	9.00
4362	Dust Cover Boot	9.00
4363	Taper Pin & Nylock Nut Set	8.00
4364	Top Cover Gasket	7.00
4365	Rearcase Gasket, 7 bolt	8.00
4366	Rearcase Gasket, 8 bolt	8.00
4367	Brake M/Cyl, 95/96/97	239.00

99/900/9000 Parts

5502	Valve Grind Gasket Set	76.00
5503	Overhaul Gasket Set	129.00
5503A	Oil Pan Gasket, metallic	29.00
5503B	Oil Pan Gasket, metallic	32.00
5504	Valve Grind Gasket Set	74.00
5505	Valve Grind Gasket Set	79.00
5506	Full Overhaul Gasket Set	129.00
5507	Valve Grind Gasket Set	97.00
5508	Valve Grind Gasket Set	79.00
5509	Valve Grind Gasket Set	79.00
5510	Full Overhaul Gasket Set	129.00
5511	Valve Grind Gasket Set	189.00
5512	Valve Grind Gasket Set	194.00
5515	B Engine Timing Chain Kit	129.00
5516	H Engine Timing Chain Kit	129.00

Part No.

Part No.	Item	Core \$ Price
5517	Timing Chain	59.00
5518	L.T./Chain Guide	59.00
5519	R.T./Chain Guide	69.00
5520	Tensioner, new style	94.00
5521	Tensioner Seal	7.00
5522	Crank Gear	69.00
5523	Crank Gear	79.00
5524	Crank Gear	69.00
5525	Cam Gear	69.00
5526	Cam Gear	69.00
5527	Cam Gear	69.00
5528	Mount, engine, L or R, 99	48.00
5529	Mount, engine, front, 99	13.00
5530	Mount, engine, front	49.00
5531	Left Mount, (black)	59.00
5532	Right Mount, (gray)	59.00
5534	Left Mount	59.00
5535	Right Mount	59.00
5536	Front Mount, (green dot)	170.00
5536A	Deflection Damper	11.00
5537	Mount, engine, L/R	159.00
5538	Mount, engine, upper front	89.00
5538A	Torque Rod Assy	42.00
5538B	Torque Rod Assy	139.00
5539	Mount, engine, L/R	269.00
5539A	Mount, engine, L, hydraulic	269.00
5539B	Mount, engine, R, hydraulic	269.00
5539T	Mount, transmission, 5-sp	36.00
5540	Fuel Filter	19.00
5541	Fuel Filter	20.00
5542	Fuel Filter	24.00
5543	Fuel Filter	26.00
5544	Air Filter	26.00
5545	Air Filter	16.00
5545A	Pollen Filter	39.00
5546	Fuel Filter Seal Rings	3.00
5547	Fuel Filter Seal Rings	2.50
5550	Fuel Pump	249.00
5551	Fuel Pump	249.00
5552	Fuel Pump	309.00
5553	Fuel Pump	319.00
5554	Fuel Pump	229.00
5555	Fuel Pump	209.00
5555A	Fuel Pump	309.00
5556	Wire Set	54.00
5557	Wire Set	49.00
5558	Wire Set	69.00
5560	Oil Pressure Switch	12.00
5561	Oil Pressure Switch	16.00
5562	Oil Pressure Switch	19.00
5563	Adaptor to switch	5.00

5559--Head Gskt Set '72 99 (1.85) \$108.00

Part No.	Item	Core \$	Price
5564	Oil Pressure Switch		19.00
5565	Turn Signal Switch		48.00
5566	Turn Signal Switch		89.00
5567	Turn Signal Switch		169.00
5568	Turn Signal Switch		174.00
5569	Turn Signal Switch		169.00
5570	Headlight Switch		42.00
5571	Stop Light Switch		12.00
5572	Stop Light Switch		18.00
5573	Water Temp Sender		21.00
5574	W/shield Wiper Switch		59.00
5575	W/shield Wiper Switch		59.00
5576	W/shield Wiper Switch		59.00
5577	W/shield Wiper Switch		59.00
5578	W/shield Wiper Switch		59.00
5579	W/shield Wiper Switch		59.00
5580	Thermo Fan Switch		29.00
5580A	Ignition Switch		39.00
5581	Fuel Pump Relay		43.00
5582	Fuel Pump Relay		96.00
5583	Fuel Pump Relay		19.00
5584	Fuel Pump Relay		43.00
5585	Fuel Pump Relay		19.00
5586	Wiper Relay		49.00
5587	Headlight Relay		69.00
5588	Headlight Relay		79.00
5589	Headlight Relay		27.00
5590	Horn Relay		48.00
5591	Sunroof Relay		55.00
5592	L. Pwr Window Motor		144.00
5593	R. Pwr Window Motor		144.00
5595	Brake Cable		49.00
5596	Brake Cable, Left		59.00
5597	Brake Cable, right		55.00
5598	Brake Cable, left		55.00
5599	Brake Cable, right		55.00
5600	Brake Cable, left		59.00
5601	Brake Cable, right		42.00
5602	Speedo Cable		42.00
5603	Speedo Cable		42.00
5604	Throttle Cable		39.00
5605	Throttle Cable		89.00
5606	Hood Release Cable		21.00
5607	Front Wheel Bearing		64.00
5608	Front Wheel Bearing		54.00
5609	Front Wheel Bearing & hub		121.00
5610	Front Wheel Bearing		139.00
5611	Rear Wheel Bearing, inner		16.00
5612	Rear Wheel Bearing, outer		15.00
5613	Rear Wheel Bearing & hub		109.00
5614	Rear Wheel Bearing & hub		121.00

Part No.	Item	Core \$	Price
5615	Rear Wheel Bearing & hub		129.00
5616	Rear Wheel Bearing & hub w/o ABS		122.00
5617	Rear Wheel Bearing & hub with ABS		209.00
5618	Rear Wheel Bearing & hub (all have ABS)		209.00
5619	Tie Rod End		51.00
5620	Tie Rod End		36.00
5621	Tie Rod End		43.00
5622	Tie Rod End		45.00
5623	Upper/Lower Ball Joints		39.00 ea
5624	Upper/Lower Ball Joints		49.00 ea
5625	Upper A Frame Bush		17.00 ea
5626	Lower A Frame Bush		22.00 ea
5627	Lower Front A Frame Bush		52.00 ea
5628	Lower Rear A Frame Bush		59.00 ea
5629	Caliper Retainer Plate		3.00
5631	Axle Locator Front Bush		21.00 ea
5632	Axle Locator Front Bush		19.00 ea
5633	Axle Locator Rear Bush		23.00 ea
5634	Torque Rod Front Bush		21.00 ea
5635	Torque Rod Rear Bush		19.00 ea
5636	Panhard Rod Right Bush		24.00 ea
5637	Panhard Rod Left Bush		19.00 ea
5638	Front Brake Pads		39.00
5639	Front Brake Pads		39.00
5640	Front Brake Pads		45.00
5641	Front Brake Pads		44.00
5642	Front Brake Pads		44.00
5643	Front Brake Pads		69.00
5644	Rear Brake Pads		33.00
5645	Rear Brake Pads		33.00
5646	Rear Brake Pads		33.00
5647	Rear Brake Pads		44.00
5648	Caliper Kit, Front		33.00
5649	Caliper Kit, Rear		24.00
5650	Caliper Kit, Front		24.00
5651	Caliper Kit, Rear		21.00
5652	Caliper Kit, Front		38.00
5653	Front Hose		42.00
5654	Rear Hose, center		49.00
5655	Rear Hose, behind		29.00
5656	Front Hose		39.00
5657	Rear Hose		33.00
5658	Front Rotor		69.00
5659	Rear Rotor		69.00
5660	Front Rotor		61.00
5661	Front Rotor, non-vented		69.00
5662	Front Rotor, vented		114.00
5663	Front Rotor		91.00
5664	Rear Rotor		79.00
5665	Front Rotor		119.00
5666	Front Rotor		119.00

Part No.	Item	Core \$	Price
5667	M/Cylinder Kit		19.00
5667A	M/Cylinder Kit, clutch		129.00
5668	Slave Cylinder Kit		24.00
5669	Slave Cylinder Kit		19.00
5670	Slave Cylinder Kit		12.00
5671	Slave Cylinder Kit		27.00
5672	Release Bearing		46.00
5673	Release Bearing		33.00
5674	Release Bearing		33.00
5675	Pilot Bearing		12.00
5676	Clutch Disc		97.00
5677	Clutch Disc		89.00
5678	Clutch Disc		89.00
5679	Clutch Disc		89.00
5680	Clutch Disc		96.00
5681	Clutch Disc		94.00
5682	Clutch Disc		94.00
5683	Clutch Disc		94.00
5684	Pressure Plate		99.00
5685	Pressure Plate		99.00
5686	Pressure Plate		104.00
5687	Pressure Plate		99.00
5688	Rebuild Kit		45.00
5689	Water Pump		39.00
5690	Water Pump		44.00
5691	Water Pump		129.00
5692	Water Pump		159.00
5693	Expansion Tank Cap		12.00
5694	Pulley Assembly		133.00
5695	Pulley Assembly		133.00
5696	Pulley Assembly		153.00
5697	Pulley Assembly		133.00
5698	Pulley Assembly		163.00
5701	CV Joint Boot Kit, outer		17.00
5702	CV Joint Boot Kit, inner		19.00
5703	CV Joint Boot Kit, inner		19.00
5704	CV Joint Boot Kit, outer		19.00
5705	CV Joint Boot Kit, outer		19.00
5706	Automatic Trans Cooler		199.00
5707	Automatic Trans Cooler		289.00
5708	Automatic Trans Cooler		299.00
5709	Engine Oil Cooler		189.00
5710	Engine Oil Cooler		189.00
5711	Engine Oil Cooler		289.00
5712	Kricket Tool		19.00
5713	Cooling Filler Kit, 900		179.00
5714	Replacement Filter		22.00
5720	Belt, 9000		33.00
5721	Belt, 9000		39.00
5722	Belt, 9000		49.00
5723	Air Cond Belt, 9000		16.00
5725	Filter Screen, 900		59.00
5726	Filter Screen, 9000		21.00

Part No.	Item	Core	\$ Price
5627	Trans Seal & Gasket Set		149.00
5740	Hood Support Strut		44.00
5741	Hatch Strut, 900		64.00
5742	27" Hatch Strut, 9000		64.00
5743	Hatch Strut, 900		64.00
5749	Tensioner Pulley, 900		69.00
5750	Tensioner Pulley, 9000		69.00
5751	Tensioner Pulley, 9000 A/C		78.00
5752	Tensioner Pulley, 9000		69.00
5753	Tensioner Pulley, 9000		69.00
5754	Idler Pulley, 9000		39.00
5766	Anti-Roll Bar Bush, rear		21.00
5767	Anti-Roll Bar Bush, FR		36.00
5768	Anti-Roll Bar Bush, FL		36.00
5769	Anti-Roll Bar Bush, F center		12.00
5771	KYB Front Shock		21.00
5772	KYB Rear Shock		59.00
5772A	KYB Rear Shock		59.00
5773	BOGE Front Shock		54.00
5773A	BOGE Front Shock		75.00
5773B	KYB Front Shock		59.00
5774	BOGE Rear Shock		59.00
5774A	BOGE Rear Shock		75.00
5774B	KYB Rear Shock		59.00
5775	Sachs Front Shock		99.00
5776	BOGE Rear Shock		79.00
5776A	Sachs Rear Shock		97.00
5777	BOGE Front Shock (Strut)		179.00
5777A	KYB Front Shock		172.00
5778	BOGE Rear Shock		139.00
5778A	KYB Rear Shock		89.00
5779	Anti-Roll Bar Bush, front ctr		15.00
5780	Anti-Roll Bar Bush, end link		56.00
5781	Anti-Roll Bar Bush, rear ctr		12.00
5782	Anti-Roll Bar Bush, rear end		11.00
5783	Caliper Retainer Plate, front		3.00
5784	Caliper Retainer Plate, Rear		4.00
5790	Anti-Roll Bar, Front Kit		197.00
5791	Anti-Roll Bar, Rear Kit		197.00
5792	Anti-Roll Bar, Front Kit		197.00
5793	Anti-Roll Bar, Rear Kit		197.00
5794	Bush, urethane "D"		18.00
5795	Bush, urethane "D"		18.00
5796	End Link Bush, urethane		16.00
5800	Pedal Pad, Clutch & Brake		11.00
5801	Pedal Pad, Brake		15.00
5802	Brake M/Cylinder		229.00
5803	Brake M/Cylinder		230.00
5804	Brake M/Cylinder		259.00
5805	Turbocharger, 99/900		750.00
5806	Turbocharger, 900		750.00
5807	Turbocharger, 900 APC		750.00
5808	Turbocharger, 900		750.00

Part No.	Item	Core	\$ Price
5809	Turbocharger, 900	100	750.00
5810	Turbocharger, 900	100	750.00
5811	Turbocharger, 900	100	750.00
5812	Turbocharger, 9000	100	750.00
5813	Turbocharger, 9000	100	750.00
5814	Turbocharger, 9000	100	750.00
5819	Thermostat		23.00
5820	Thermostat		23.00
5821	Gasket for T-stat		4.00
5822	Radiator, 99		395.00
5822A	Radiator, 99		395.00
5823	Radiator, 99		395.00
5824	Radiator, 900		169.00
5825	Reservoir		395.00
5826	Heat control Valve, 99		59.00
5827	Heat control Valve, 900		89.00
5827A	Heat Control Valve "O" rings		109.00
5828	Heat Control Valve "O" rings		4.00 ea
5829	Top Hose, 99		36.00
5830	Top Hose, 99		36.00
5830	Hose, Rad to Res, 99		39.00
5831	Hose, Rad to Res, 99		39.00
5832	"Y" Hose, Res to W/pump, 99		39.00
5833	"Y" Hose, (no air)		49.00
5834	Top Hose, A/C		28.00
5835	Top Hose, front & rear (w/air)		20.00
5836	Top Hose, front		20.00
5837	Top Hose, front		20.00
5838	Top Hose, rear		20.00
5839	Top Hose, rear		20.00
5840	Top Hose, 9000		27.00
5841	Bottom Hose		39.00
5842	Bottom Hose		42.00
5843	Bottom Hose		24.00
5844	Bottom Hose		24.00
5845	Reservoir Hose		27.00
5846	Heater Hose, right		27.00
5847	Heater Hose, right		39.00
5848	Heater Hose, left		43.00
5849	Heater Hose, left		24.00
5850	Heater Hose, upper		24.00
5851	Heater Hose, lower		37.00
5851A	Plastic Hose Adaptor		37.00
5853	"O" rings for adaptor (2 req'd)		9.00
5853	Ignition Control Unit		2.00 ea
5854	Ignition Control Unit		359.00
5855	Ignition Control Unit		142.00
5856	Ignition Control Unit		184.00
5857	Ignition Control Unit		142.00
5858	Ignition Control Unit		142.00
5858	Ignition Control Unit		184.00
5859	Ignition Control Unit		192.00
5860	Ignition Control Unit		149.00
5861	Distributor Cap		12.00
5861	Impulse Transmitter Kit		152.00
5862	Impulse Transmitter Kit		152.00
5865	Distributor, exchange	50	365.00

Part No.	Item	Core	\$ Price
5866	Distributor, exchange	50	329.00
5867	Distributor, exchange	50	339.00
5868	Distributor, exchange	50	439.00
5869	Distributor, exchange	50	375.00
5875	Radiator Fan Motor		169.00
5876	Radiator Fan Motor		429.00
5877	Radiator Fan Motor		389.00
5878	Radiator Fan Motor		169.00
5879	Radiator Fan Motor		169.00
5880	Radiator Fan Motor		329.00
5881	Radiator Fan Motor		489.00
5882	Radiator Fan Motor		309.00
5883	Radiator Fan Motor		329.00
5884	Radiator Fan Motor		349.00
5885	Radiator Fan Motor		269.00
5885	Radiator Fan Motor		259.00
5888	Heater Fan Motor, 900		329.00
5889	Heater Fan Motor, 9000		139.00
5890	Heater Fan Motor, 9000		146.00
5891	Boot, Steering Rack, left		38.00
5891	Boot, Steering Rack, right		38.00
5892	Boot, Steering Rack, L & R		49.00
5893	Boot, Steering Rack, L & R		36.00
5894	Boot, Steering Rack, left		65.00
5895	Boot, Steering Rack, right		65.00
5896	Repair Kit, Inner Rack Joint		22.00
5897	Power Steering Rack, Exchg	100	390.00
5898	Power Steering Rack, Exchg	100	495.00
5900	Hella Fog Lamp Kit		129.00
5901	Hella Fog Lamp Kit, white		129.00
5902	Hella Fog Lamp Kit, amber		129.00
5903	Hella Stone Shield (replacement)		12.00
5910	Front Seat Bottom Kit, 99/900		46.00

*There is hardly any one thing is this world
That some man cannot make a little worse
And sell a little cheaper;
And the people who consider price only
Are this man's lawful prey.*

John Ruskin

JACK ASHCRAFTS DRAKENPARTS
4305 Dark Hollow Rd, Madford, OR 97501
Ph 503-779-0731 FAX: 503-779-0788

